



## Products and Solutions

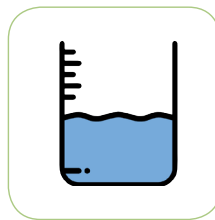
To Measure, Monitor and Control



Flow



Pressure



Level



Temperature



Analytical

For The Process Industries



## Rotary Pedal Level Switch

Type AE SE110 Series

### Design Standards

Material:	ADC12
Connection:	Screw, Horizontal Mounting
Power Supply:	220 VAC
Power Consumption:	3W
Paddle:	65W x 80H, Shovel Shaped Paddle
Rotary Speed:	1 R.P.M.
Operation Temperature:	-20°C ~ 70°C

### Working Principle

The purpose of the rotary paddle level switch is to detect the presence of solid/powdery material in most kinds of tanks, bins and containers.

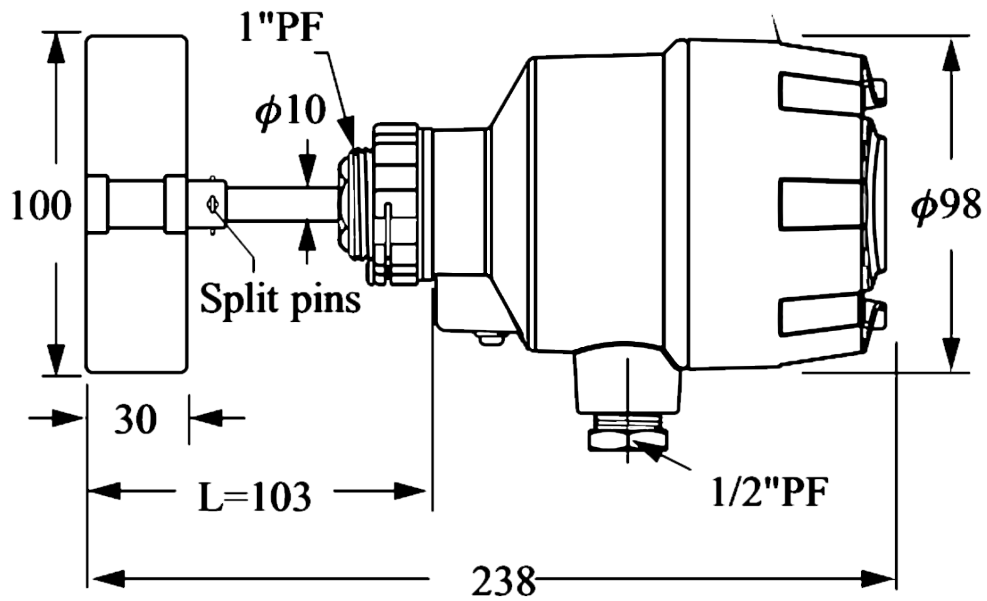
The unit is usually located through a bin wall at the top, middle or low level of a bin. During normal operation (no material present) a synchronous motor rotates the paddle at RPM. When this paddle rotation is impeded by material, surrounding the paddle, motor will stall and cause the Micro-switch to change state (indicating an alarm or control).

### Features

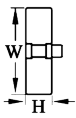
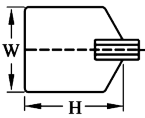
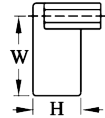
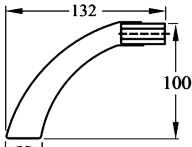
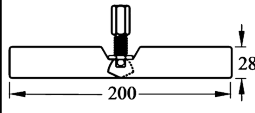
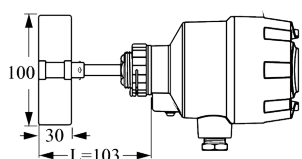
- Rugged sealing ring prevents dust from infiltrating the housing body along the shaft
- Adjustable torque.  
If the rotary paddle encounters overloading, the motor will automatically shut down the motor to prevent damage to the inner mechanisms and extend motor life.
- Very suitable for small tanks and low density materials
- Adjustable and extendible shaft models available
- A wide variety of paddles are available

# AE ROTARY PADDLE LEVEL SWITCH

## Structure



## Probe Length List for Standard Type (With Different Paddles)

						
Rectangular shaped type 100x30	Shovel shaped type			Rectangular type, one sided 50x30	Scimitar shaped type 132x100	Hinged type 200x28
	65x80	65x120	80x80			
SE110 	L = 155	L = 195	L = 155	L = 107	L = 195	L = 127



**AE** ANDERSON  
EUROTECH  
VALVES AND INSTRUMENTS

For Your Sales and After Sales, please contact:

Indonesia Sole Distributor

**PT. Multi Sukses Pratama**

Jl. Bandengan Utara No. 80  
Rukan Bandengan Indah D No.20

Jakarta Utara, Indonesia

☎ (62) (21) 29379590, 29379591, 68292838, 8822918 (62)

☎ (21) 29379571

E-mail: [sales@suksespratama.com](mailto:sales@suksespratama.com)