



Products and Solutions

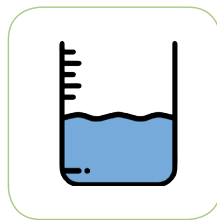
To Measure, Monitor and Control



Flow



Pressure



Level



Temperature

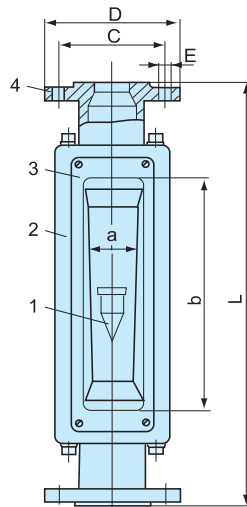


Analytical

For The Process Industries

AE717 GA24S GLASS ROTAMETER

GA series glass rotameter with safety cover of special laminated glass with high safety factor, and easy to replace glass tube and float.



Unit:mm

Material

No.	Material	No.	Material
1	304SS, 316*, PTFE	4	HT20-40, 304SS, 316*
2	45 steel board	5	304SS, 316*
3	Anti-explosion glass		

*Refer to "Ordering" and "illustrative example" when placing an order or requesting a quotation. Fill in the blanks in the "order/Quotation request card" at the end of the catalog, and send the card by fax.

Specifications

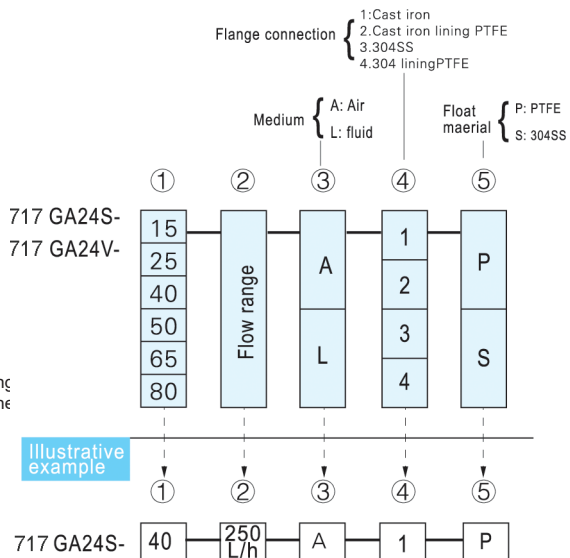
D N (mm)	Model	Measure		Working pressure (Mpa)	Temp.
		Water(L/h)	Air(m ³ /h)		
15	717 GA24S-5 717 GA24S-15F	4~40	0.12~1.2	≤1.0	-20°C ~120°C
		6~60	0.3~3		
		10~100	0.5~5		
		16~160	0.8~8		
		25~250	1.2~12		
		40~400 63~630*	2~20*		
25	717 GA24S-25 717 GA24S-25F	63~630	2~20	≤1.0	
		100~1000	3~30		
		160~1600	5~50		
		250~2500*	8~80*		
40	717 GA24S-40 717 GA24S-40F	160~1600	5~50	≤0.9	
		250~2500	8~80		
		400~4000*	12~120*		
50	717 GA24S-50 717 GA24S-50F	400~4000	12~120	≤0.6	
		630~6300	20~200		
		1000~10000	30~300*		
		4000~16000*			
65	717 GA24S-65	5000~25000*	80~800*	≤0.4	
80	717 GA24S-80	8000~40000*	240~1200*	≤0.4	
		10000~50000*	300~1500*		

Note:ex-corrosive type can't make * flow range.

Sizes

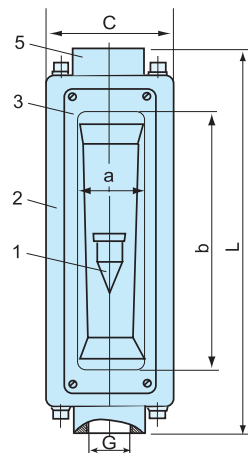
D N (mm)	Window size axb	L	C	D	E	Weight (Kg)
15	37x302	500	ø65	ø95	4- ø14	5.3
25	52x294		ø85	ø115		7.8
40	64x278		ø110	ø145	4- ø18	10.7
50	94x266		ø125	ø160		16.6
65	124x260		ø145	ø180	8- ø18	24
80	124x260		ø160	ø200		

How to order



AE717 GA24V GLASS ROTAMETER

GA series glass rotameter with safety cover of special laminated glass with high safety factor, and easy to replace glass tube and float.



Unit:mm

Material

No.	Material	No.	Material
1	304SS, 316*, PTFE	4	HT20-40, 304SS, 316*
2	45 steel board	5	304SS, 316*
3	Anti-explosion glass		

* Refer to "Ordering" and "illustrative example" when placing an order or requesting a quotation. Fill in the blanks in the "order/Quotation request card" at the end of the catalog, and send the card by fax.

Specifications

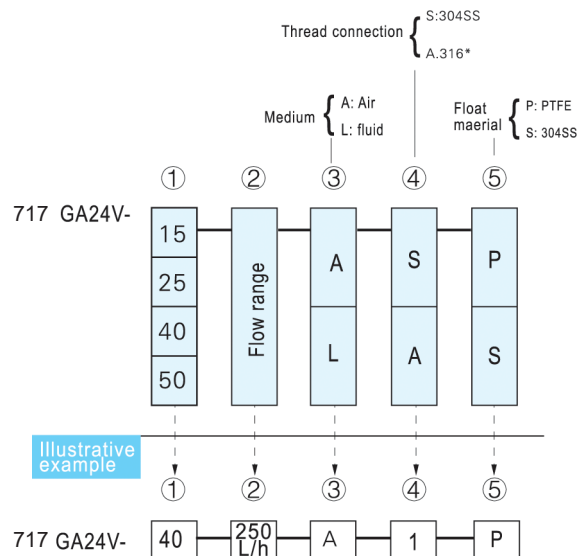
D N (mm)	Model	Measure		Working pressure (Mpa)	Temp.
		Water(L/h)	Air(m ³ /h)		
15	717 GA24V-15 717 GA24V-15F	4~40	0.12~1.2	≤1.0	-20°C ~120°C
		6~60	0.3~3		
		10~100	0.5~5		
		16~160	0.8~8		
		25~250	1.2~12		
		40~400	2~20*		
25	717 GA24V-25 717 GA24V-25F	63~630	2~20	≤1.0	
		100~1000	3~30		
		160~1600	5~50		
		250~2500*	8~80*		
40	717 GA24V-40 717 GA24V-40F	160~1600	5~50	≤0.9	
		250~2500	8~80		
		400~4000*	12~120*		
50	717 GA24V-50 717 GA24V-50F	400~4000	12~120	≤0.6	
		630~6300	20~200		
		1000~10000	30~300*		
		4000~16000*			

Note:ex-corrosive type can't make * flow range.

Sizes

D N (mm)	Window size axb	L	G	C	Weight (Kg)
15	37x302	420	1/2"F/NPT 1/2"Gg	80	3.8
25	52x294		1"F/NPT 1"G	105	5.4
40	64x278		1½" F/NPT 1½"G	125	8
50	94x266		2"F/NPT 2"G	165	12.7

How to order

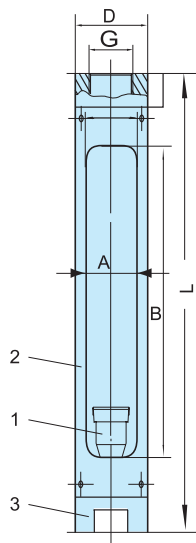


AE717 VA30 GLASS ROTAMETER

VA30S glass rotameter are the new products of our company. compared with the other domestic products of the same type, it has advantages of high measuring precision, good interchangeability, multiple connection ways, especially the value of flow rate of the flow meter is in millimeter scale mark, which is capable of providing actual flow scale according to the temperature, pressure, density, and viscosity of different flows, solving the problem of indication correction. As for the ways of connection. The loose flange structure is available, with both conventional type and corrosion-proof type.

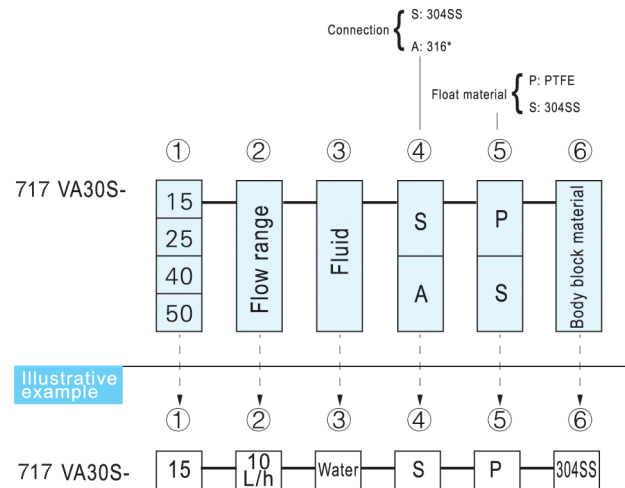
Specifications

D N (mm)	VA30S Pipe Thread Connection					
	L	B	A	D	G	weight(Kg)
15	344	270	25	38	1/2"F/NPT 1/2"BSP	.4 1
25	348	236	40	55	1"F/NPT 1"BSP	2.1
40	370	226	50	70	1 1/2" F/NPT 1 1/2" BSP	3.6
50	380	226	60	89	2" F/NPT 2" BSP	6.0



Unit:mm

How to order



Sizes

D N (mm)	Model	Measure Range		Working Pressure (Bar)	Temp.
		Water (L/h)	Air (m ³ /h)		
15	717 VA30S-15	4~40	0.12~1.2	≤10	-20°C -120°C
		6~60	0.3~3		
		10~100	0.5~5		
		16~160	0.8~8		
		25~250	1.2~12		
		40~400	2~20		
25	717 VA30S-25	63~630	2~20	≤10	-20°C -120°C
		100~1000	3~30		
		160~1600	5~50		
		250~2500	8~80		
40	717 VA30S-40	160~1600	5~50	≤9	-20°C -120°C
		250~2500	8~80		
		400~4000	12~120		
50	717 VA30S-50	400~4000	12~120	≤7	-20°C -120°C
		630~6300	20~200		
		1000~10000	30~300		
		4000~16000			

Material

No.	Material
1	304SS, 316*, PTFE
2	304
3	304, 316*

* Refer to "Ordering" and "illustrative example" when placing an order or requesting a quotation. Fill in the blanks in the "order/Quotation request card" at the end of the catalog, and send the card by fax.

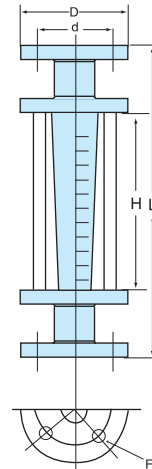
AE717 FA40 GLASS ROTAMETER

The series of glass rotor flowmeter is an integrated product by cone-shaped glass tube, float, flanges. The installation is easy and the flowmeter is adjustable, the flowmeter is used in ranges such as semi-conductor chemicals etc.

- Temperature Limit : PVC < 60°C,
304SS < 100°C
- Accuracy : ± 5 %

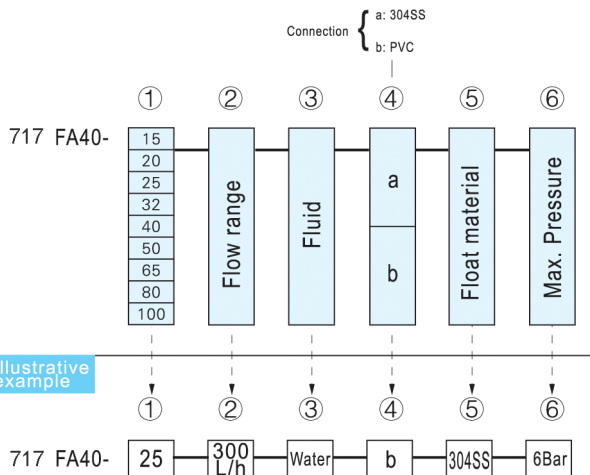
Specifications

DN	Measure		Working pressure (Mpa)	
	Water (L/h)	Air (NL/min)	304SS	PVC
15	30-300	10-100	≤0.7	≤0.4
	60-600	20-200		
	90-900	25-250		
20	90-900	20-200		
	120-1200	30-300		
	180-1800	50-500		
25	180-1800	50-500		
	300-3000	100-1000		
32	480-4800	150-1500		
	480-4800	200-2000		
	600-6000	250-2500		
40	720-7200	300-3000		
	1-10m³/h	18-180Nm³/h	≤0.5	≤0.3
	1.2-12m³/h	20-200Nm³/h		
1.5-15m³/h	25-250Nm³/h			
50	1.2-12m³/h	20-200Nm³/h		
	1.5-15m³/h	25-250Nm³/h		
	1.8-18m³/h	30-300Nm³/h		
65	1.8-18m³/h	25-250Nm³/h		
	3-30m³/h	35-350Nm³/h	≤0.3	≤0.25
80	4-40m³/h	40-400Nm³/h		
	4-40m³/h	40-400Nm³/h		
100	5-50m³/h	50-500Nm³/h		
	6-60m³/h	60-600Nm³/h		
	6-60m³/h	60-600Nm³/h		
100	7-70m³/h	70-700Nm³/h		
	10-100m³/h	90-900Nm³/h		



FA40

How to order



Sizes (mm)

	15	20	25	32	40	50	65	80	100
L	260	340	340	340	340	340	390	390	410
H	150	200	200	200	200	200	250	250	250
D	95	105	115	140	150	165	200	185	220
d	65	75	85	100	110	125	160	145	180
F	14	14	14	18	18	18	18	18	18
Weight (kg)	304SS	5	6	8	9	10	14	20	25
	PVC	3	3	4	6	7	9	13	15

AE717 DK800 GLASS ROTAMETER

717 DK800S is used for measuring tiny flow with nice shape, and light-weighted, easy to install and repair, the taper pipe and float can be changed without separating the whole machine into pieces, the flow scale is clear and acute, which is widely used in the chemical, petroleum, medical, food, environmental protection and scientific research departments, for measuring one phase non-pulsating fluid (liquid or gas).

- Temperature limited : 120°C,
- Accuracy : ± 2.5%
- Working pressure limited : 1.0 MPa

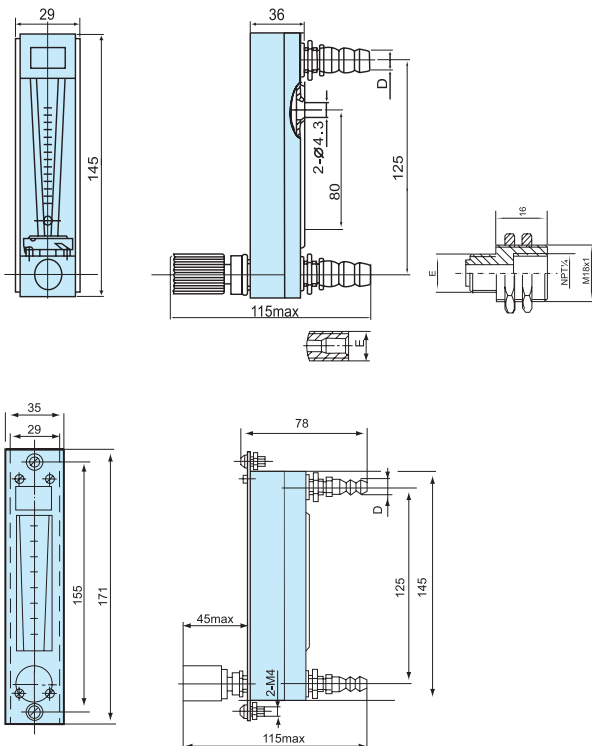


Specifications

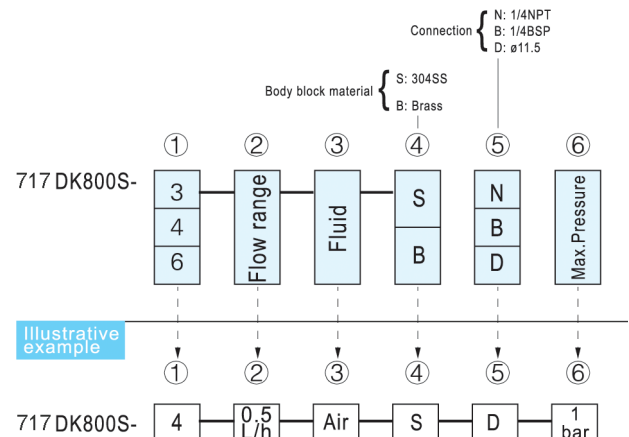
D N (mm)	Model	Measure Range L/h		Float Material
		Water	Air	
3	717 DK800S-3	0.15~1.5	0.18~1.8 0.36~3.6	304SS
4	717 DK800S-4	0.25~2.5	0.5~5 0.8~8 1.6~16 6~60	
6	717 DK800S-6	0.5~5 1.2~12 2~20 2.5~25 4~40 6~60 10~100 16~160 20~200	10~100 25~250 50~500 80~800 100~1000 180~1800 240~2400 300~3000 350~3500 430~4300	

Sizes (mm)

Model	D	E	Internal diam.	Weight (kg)
717 DK800S-3	ø11.5	M10x1 BSP1/4"	ø6	0.45
717 DK800S-4				
717 DK800S-6				

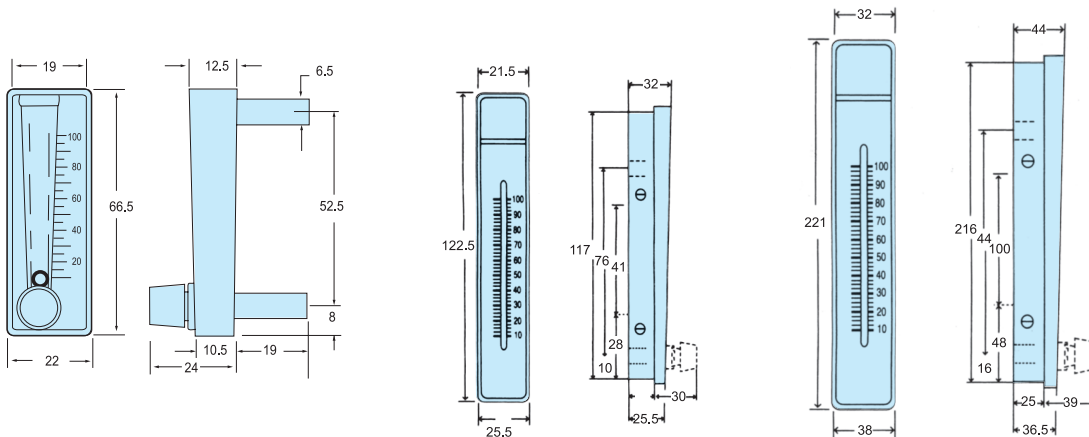


How to order



AE717 Z-7000 PANEL FLOWMETER

717 Z-7000 series flowmeter is used in small air flow and liquids, with good shape, easy to install, wash and replace spare parts. Body is PC (polycarbonate), valve is optional.



Specifications

Model	Measuring range		Accuracy	Condition		Connection
	Liquid L/min	Air L/min		Pressure	Temp.	
717 Z-7001	0.1~1.1 0.25~2.5 0.3~3.5	0.05~0.5 0.1~1 0.5~5 2.5~25 5~50	±5%	≤0.6MPa	0 ~ +60°C	Ø6
717 Z-7002	1~1.5 1~2 1~3	0.5~5 1~10 5~25 7~70 5~50 10~100				1/8 PT
717 Z-7003	1~4 1~7 1~9	10~100 15~150 20~140 20~200 30~300				1/4 PT

AE717 Z-6000 FLOWMETER MOUNT IN ANY POSITION

The main frame of the flow meter of this type is made of engineering plastics of high strength (PC Polycarbonate or PSU polysulfone), which is breaking-proof and corrosion-proof, and can be mounted in any position. It is capable of bearing high pressure, easy to read (the reading is red), and equipped with indicating device showing the upper and lower limit of the flow.

- Temperature limited : PC : 0~60°C
PSU : 0~100°C
- Accuracy : ± 6%
- Alarm switch is optional

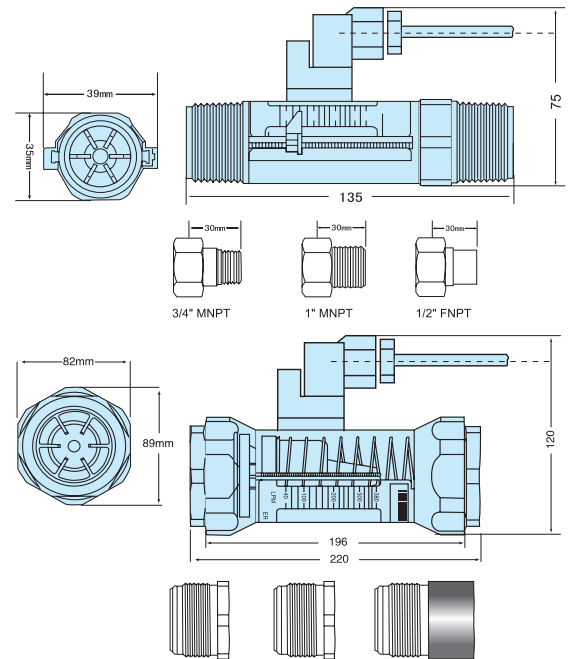
717 Z-60

Model	Measure Range				Thread	Weight (kg)
	Water		Air			
	GPM	LPM	GPM	LPM		
717 Z-6011	0.5~5	2~20	18~180	60~600	1/2" FNPT or 3/4" MNPT	0.4
717 Z-6012	1~7	4~26	20~200	70~700		
717 Z-6013	1~10	4~35	25~250	100~1000		
717 Z-6014	1~16	5~60	35~350	150~1400		
717 Z-6015	3~18	10~65	52~520	200~2000	3/4" FNPT or 1" MNPT	0.5
717 Z-6016	4~28	20~100	80~800	300~3000		

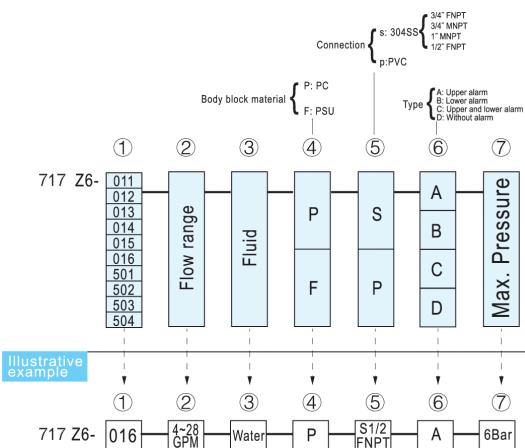


717 Z-60 Alarm switch type

Model	Measure Range				Thread	Weight (kg)
	Water		Air			
	GPM	LPM	GPM	LPM		
717 Z-6011A	0.5~7	2~25	18~180	60~600	1/2" FNPT 3/4" MNPT	0.4
717 Z-6012A	0.5~9	2~35	20~200	70~700		
717 Z-6013A	1~13	3~50	25~250	100~1000		
717 Z-6014A	3~16	10~60	35~350	150~1400		
717 Z-6015A	4~22	15~80	52~520	200~2000	3/4" FNPT or 1" MNPT	0.5
717 Z-6016A	5~28	20~100	80~800	300~3000		



How to order



717 Z-65

Model	Measure Range		Thread (NPT)
	Water		
	GPM	LPM	
717 Z-6501	3~25	12~90	1 1/2" Female or 2" Female
717 Z-6502	5~50	20~200	
717 Z-6503	8~80	30~280	
717 Z-6504	10~100	40~380	

Note: BSP is optional

*Refer to "Ordering" and "illustrative example" when placing an order or requesting a quotation. Fill in the blanks in the "Order/Quotation request card" at the end of the catalog, and send the card by fax.

AE717 Z-500 FLOWMETER

The major parts of Z-500 series pipe flowmeter : material of taper tube is polycarbonate(PC), the connectors are polyvinyl chloride(PA66), the float material is stainless steel orABS, can be acidproof and alkali-resisting.

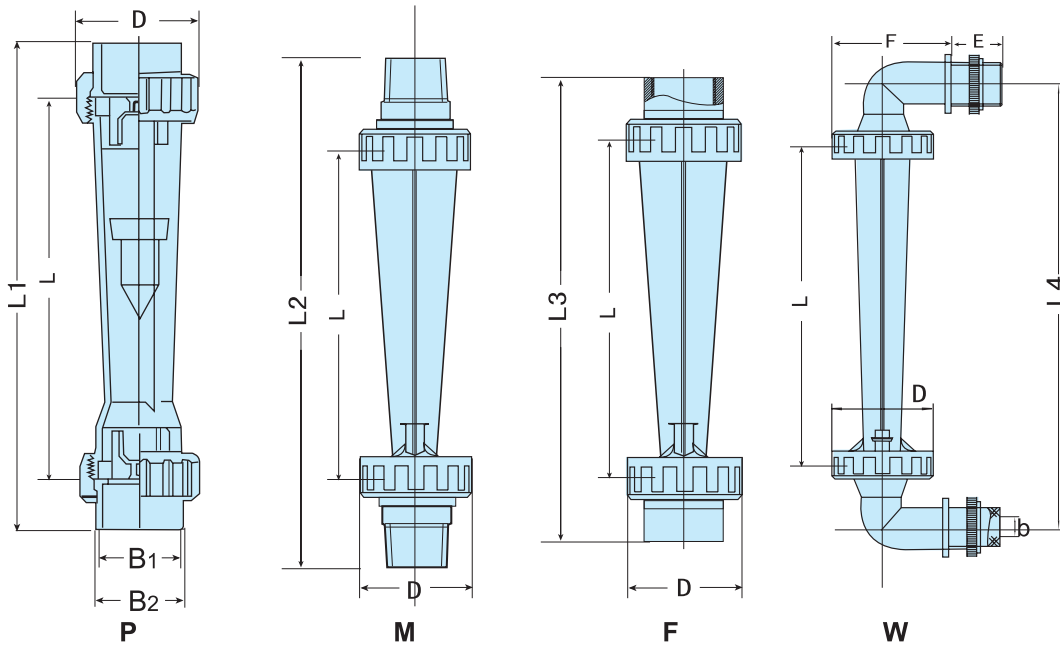
- Max. working pressure : 6Bar
- Temperature limit : 60°C
- Accuracy : ± 5 %
- O-ring material : EPDM



Specifications

Model	Water		Pipe connection	Male Thread	Female Thread	Elbow (W)
	(GPM)	(LPM)				
717 Z-5008	0.1~1 0.2~2 0.5~5	0.5~4 1~7 1.8~18	ø20	1/2" BSP 1/2" NPT	/	1/2" NPT 1/2" BSP
717 Z-5008 C	0.1~1 0.2~2 0.5~5	0.5~4 1~7 1.8~18	ø20	1/2" NPT 3/4" NPT	1/2" BSP	1/2" NPT 1/2" BSP
717 Z-5015	0.25~2.5 0.5~5 0.8~8	1~10 1.8~18 3~30	ø20	1/2" NPT 3/4" NPT	1/2" BSP	1/2" NPT 1/2" BSP
717 Z-5025	0.8~8 1~10	3~30 4~40	ø32	3/4" NPT	3/4" NPT 3/4" BSP	3/4" NPT 3/4" BSP
717 Z-5032	1.2~12 2~20 2.5~25	5~50 8~80 10~100	ø40	1" NPT	1" NPT 1" BSP	1" NPT 1" BSP
717 Z-5050	2.5~25 5~45 7~70	10~100 20~180 25~250	ø63	2" NPT	2" NPT 2" BSP	2" NPT 2" BSP
717 Z-5065	25~110 40~160 50~250	80~400 150~650 200~1000	ø75		2 1/2" NPT	/

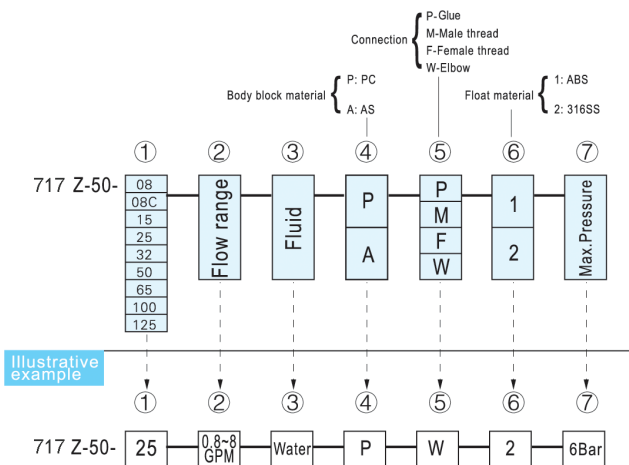
AE717 Z-500 GLASS ROTAMETER



Sizes

Model	L	D	P			M	F	W				Weight (kg)
			L1	B1	B2			L4	E	F	b	
717 Z-5008	99	42	146	20	26	170	/	153	27	55	ø12	0.15
717 Z-5008 C	160	51	210	20	26	230	209	235	27	55	ø13	0.2
717 Z-5015	135	51	180	20	26	210	183	205	27	55	ø13	0.2
717 Z-5025	170	59	226	32	39	253	228	267	35	83	ø20	0.4
717 Z-5032	223	72	287	40	49	317	287	330	40	95	ø26	0.65
717 Z-5050	290	100	375	63	73	400	370	440	40	120	ø45	2.5
717 Z-5065	325	120	420	75	89	/	423	/	/	/	/	3.5

How to order



Material

Model	Body	P	M	F	W	Float
717 Z-5008	PC,PSU	PVC	PA6	PA66	PVC	316
717 Z-5008 C	PC,PSU	PVC	PA6	PA66	PVC	316
717 Z-5015	PC,PSU	PVC	PA6	PA66	PVC	316
717 Z-5025	PC	PVC	PA6	PA66	PVC	ABS,304
717 Z-5032	PC	PVC	PA6	PA66	PVC	ABS,304
717 Z-5050	PC,PSU	PVC	PA6	PA66	PA6	ABS,304
717 Z-5065	SAN	PVC		PA66		ABS

* Refer to "Ordering" and "illustrative example" when placing an order or requesting a quotation. Fill in the blanks in the "Order/Quotation request card" at the end of the catalog, and send the card by fax.

AE717 Z-200T / Z-300T / Z300KP PANEL FLOWMETER

717 Z-200T

Model	Measure Range		Thread (M/BSPT)	Accuracy	Working Pressure	Temperature (°C)
	Water	Air 101325				
	L/h	LPM				
717 200T	2~20	0.1~1	1/8"	±6%	≤4Bar	≤55
	4~40	0.2~2	1/4"			
	5~50	1~10				
	6~60					

717 Z-300KT

Model	Measure Range		Thread male	Accuracy	Working Pressure	Temperature (°C)
	Water	20 °C				
	GPM	LPM				
717 KT1	0.1~1	0.5~4	ZG1/2"	±6%	≤4Bar	≤55
717 KT2	0.2~2	1~7				
717 KT3	0.5~5	2~18				
717 KT4	1~10	5~35	ZG3/4"			
717 KT5	2~14	10~50				
717 KT6	2~20	12~70	ZG1"			
717 KT7	5~35	10~130				

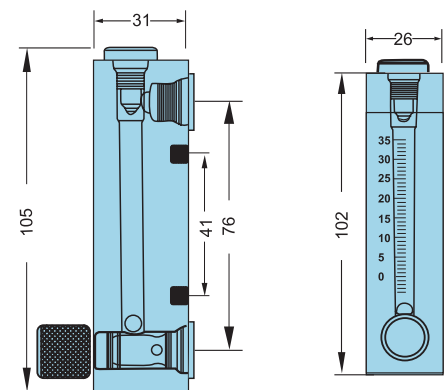


Sizes

Model	(mm)							
	A	B	C	D	E	F	G	H
T1,T2,T3	168	30	34	176	25	25	127	76
T4,T5, T6,T7	226	45	46	232	48	33	165	100

717 Z-300T

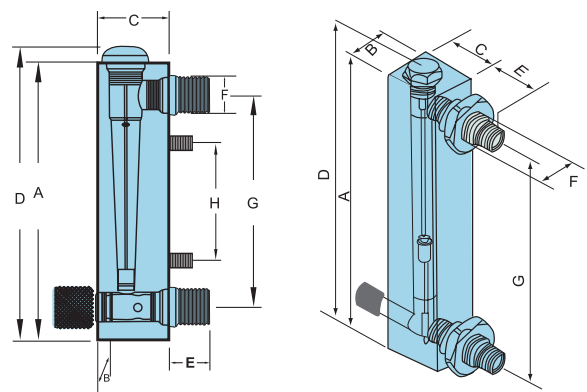
Model	Measure Range		Thread (M/BSPT)	Accuracy	Working Pressure	Temperature (°C)
	GPM	LPM				
717 Z-3000T	0.03~0.35	0.1~1.4	1/2"	±6%	≤6Bar	≤55
717 Z-3001T	0.2~2	1~7				
717 Z-3002T	0.5~5	1.8~18				
717 Z-3003T	2~10	5~40	3/4"			
717 Z-3004T	2~16	10~60				



Sizes (mm)

Model	(mm)						
	A	B	C	D	E	F	G
717 Z-3000T	206	34	40	215	31	20	165
717 Z-3001T							
717 Z-3002T							
717 Z-3003T	220	41	45	233	47	33	165
717 Z-3004T							

Note : *The medium of this series flowmeters aren't fit for aromatic hydrocarbon, hydrocarbon oxide, alcohol and other organic solvent.



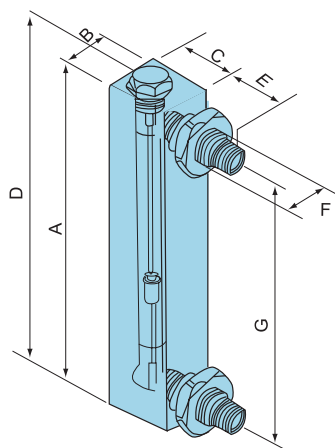
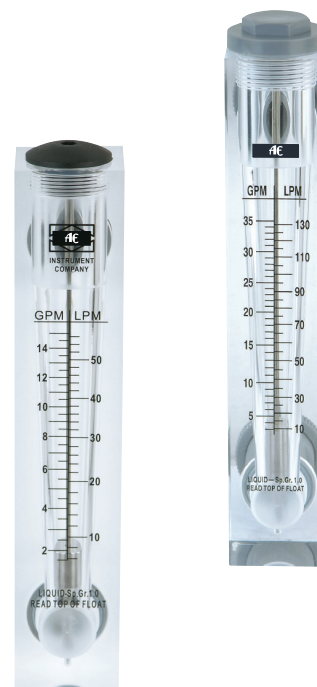
AE717 Z-300T/ Z-300K PANEL FLOWMETER

717 Z-300

Model	Measuring range		Thread	Weight kg	Working pressure	Accuracy	Temp. °C
	GPM	LPM					
717 Z-3000	0.03~0.35	0.1~1.4	BSP1/2"	0.4	≤ 0.6MPa	± 5%	≤ 55
717 Z-3001	0.2~2	1~7					
717 Z-3002	0.5~5	1.8~18					
717 Z-3003	2~10	5~40	BSP3/4"	0.6			
717 Z-3004	2~16	10~60					
717 Z-3005	4~24	20~100	BSP1"	0.7			
717 Z-3006	5~35	30~130					

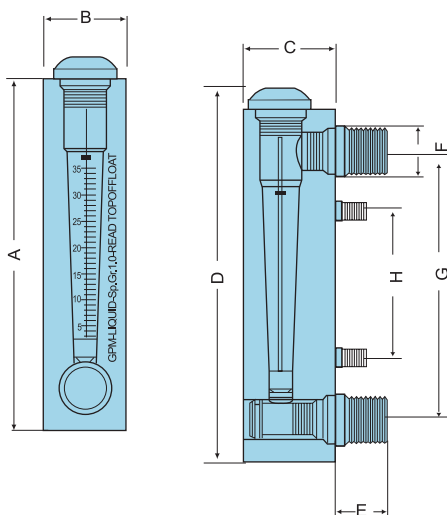
Sizes

Model	(mm)						
	A	B	C	D	E	F	G
717 Z-3000	206	34	40	215	31	20	165
717 Z-3001							
717 Z-3002							
717 Z-3003	220	41	45	233	47	33	165
717 Z-3004							
717 Z-3005	240	44	50	253	47	33	175
717 Z-3006							



717 Z-300

Model	Measuring range		Thread	Weight (kg)	Working pressure	Accuracy	Temp(°C)
	GPM	LPM					
717 K1	0.1~1	0.5~4	ZG1/2"	0.3	≤ 0.6MPa	± 5 %	≤ 55
717 K2	0.2~2	1~7					
717 K2a	0.3~3	2~11					
717 K3	0.5~5	2~18					
717 K4	1~10	5~35	ZG1"	0.6			
717 K5	2~14	10~50					
717 K6	2~20	10~70					
717 K7	5~35	10~130					



Sizes

Model	(mm)							
	A	B	C	D	E	F	G	H
717 K1 K2 K2a K3	168	30	34	176	25	25	127	76
717 K4 717 K5 717 K6 717 K7	226	45	46	232	48	33	165	100

AE717 Z-400 FLOWMETER

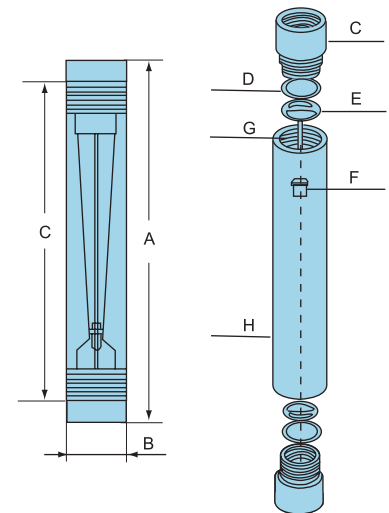
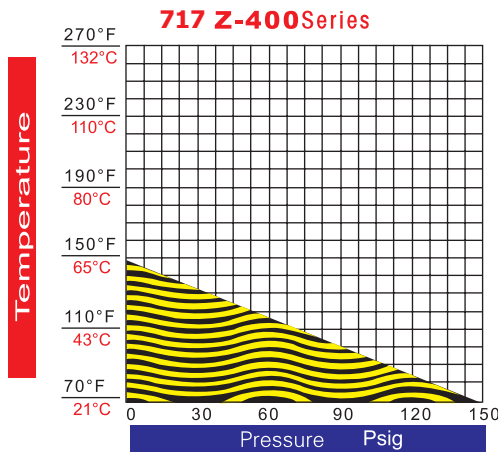


717 Z-400

Model	Measure Range		Thread (F/BSP)	Weight (Kg)	Working Pressure	Accuracy	Temperature (°C)
	GPM	LPM					
717 Z-4001	0.2~2	1~7	1/2"	0.2	≤6Bar	±6%	≤55
717 Z-4002	0.5~5	1.8~18	1/2"				
717 Z-4003	1~10	4~36	3/4"				
717 Z-4004	2~20	10~70	1"	0.65			
717 Z-4005	5~30	20~110	1"				
717 Z-4006	20~60	80~220	1½" Male	1.4			
717 Z-4007	30~110	100~400	2"				
717 Z-4008	50~150	180~600	2"				
717 Z-4009	60~200	200~800	2"				

Sizes (mm)

Model	717 Z-4001	717 Z-4002	717 Z-4003	717 Z-4004	717 Z-4005	717 Z-4006	717 Z-4007	717 Z-4008	717 Z-4009
A	210	210	278	265	265	306	345	345	345
B	32	32	45	51	51	51	75	75	75
C	Joint (PP) or 1Cr18Ni9Ti(304SS)								
D	O-ring(Silicon rubber or fluoro rubber)					O-ring(Nitrile rubber)			
E	Blocking ring (ABS)					101 (Nylon)			
F	Float 1Cr18Ni9Ti(304SS)								
G	Guide rod (316SS)								
H	Body(PMMA)								



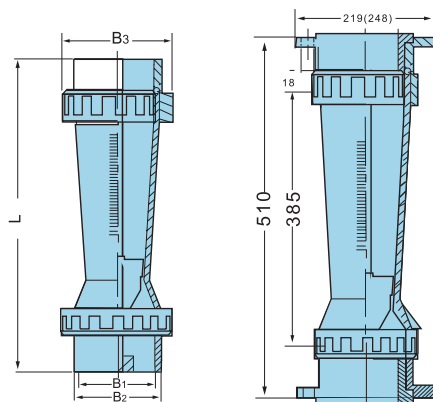
AE718 PADDLE FLOW SWITCH

LZS series main parts: tube SAN, float ABS, glue fittings PVC, male thread PA6, female thread PA66

- Working pressure limited : $\leq 0.6\text{MPa}$
- Working temperature limited : $0\text{-}60^{\circ}\text{C}$
- Accuracy : $\pm 5\%$

Specification

DN (mm)	Model	Measure range m ³ /h	Glue	Male	Female	Elbow
15	717 LZS-15	10~100 L/h 16~160 L/h 25~250 L/h 40~400L/h 60~600 L/h 100~1000 L/h	Ø20	1/2"NPT 3/4"NPT	BSP 1/2"	BSP 1/2" NPT 1/2"
25	717 LZS-25	0.1~1 0.16~1.6 0.25~2.5	Ø32	3/4"NPT	BSP 3/4" NPT3/4"	BSP 3/4" NPT 3/4"
32	717 LZS-32	0.4~4 0.6~6	Ø40	1"NPT	BSP 1" NPT1"	BSP1" NPT1"
50	717 LZS-50	0.4~4 0.6~6 1~10 1.6~16	Ø63	2"NPT	BSP 2" NPT 2"	BSP 2" NPT 2"
65	717 LZS-65	5~25 8~40 12~60	Ø75	/	NPT 2½"	/
100	717 LZS-100 flange	12~60 18~90 20~120	Ø110	Hole distance 1180mm 8-Ø18		
125	717 LZS-125 flange	25~150 30~180	Ø110	Hole distance 1210mm 8-Ø18		
150	717 LZS-150 flange	12~60 18~90 20~120 25~150 30~180	Ø110	Hole distance 1240mm 8-Ø22		



DN: 15~65

DN: 100(125)

Sizes (mm)

DN(mm)	(mm)			
	L	B1	B2	B3
15	220	20	26	51
25	230	32	39	60
32	290	40	49	72
50	350	63	73	98
65	420	75	88	122
100	547	Hole distance 180mm		8-Ø18
125	547	Hole distance 1210mm		8-Ø18
150	547	Hole distance 1240mm		8-Ø22

AE717 FLOW ALARM SWITCH

It is for 717 Z-5025 - 717 Z-5065, 717 Z-600, 10S, 20S, 717 K-500,717 GA24,40S series flowmeter

KF951: Upper limit

KF952: Lower limit

Dependable Measurement

KF951 and KF952 can be installed on the pipeline flowmeter, can be alarmed in any position, easy to installation, dependable, especially to add install it to the equipment.

KF951 and KF952 can be alarmed in any position. When the float reach up or over to settle position for the flow, it will put out signal, then contact point will be closed.

Supply And Function

KF951, upper limit

When magnetic float reach up or over to the settle position, the contact point will be closed and when magnetic float lower than settle position, contact position will be cut off.

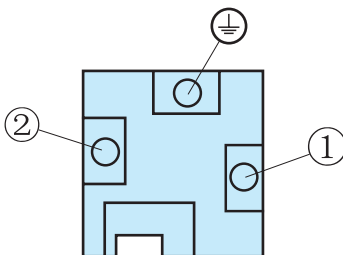
KF952, lower limit

When magnetic float reach up or lower than settle position, contact point will be closed. when magnetic float over than settle position, contact point will be out off.



Tecnical Parameter

- Working Pressure : max.DC24/AC24
- Operating Current : max.0.3A
- Permanent Current : max.DC0.1A
- Rupturing Cnpacity : max.1VA
- Forward Resitance : < 200mQ
- Insulating Impedance : >109Q
- Working Temperature : 0°C — +55°C
- Protection Grade : IP65
- Lag Behind : 4mm
- Sizes : 45x20x45



WIRING DIAGRAM



Notes: it musts less than operating current or rupturing capacity. Hence, if use for power circuit, it needs avoid overload



AE ANDERSON
EUROTECH
VALVES AND INSTRUMENTS

For Your Sales and After Sales, please contact:

Indonesia Sole Distributor

PT. Multi Sukses Pratama

Jl. Bandengan Utara No. 80
Rukan Bandengan Indah D No.20

Jakarta Utara, Indonesia

☎ (62) (21) 29379590, 29379591, 68292838, 8822918 (62)

☎ (21) 29379571

E-mail: sales@suksespratama.com