

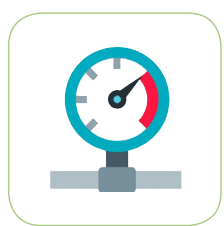


Products and Solutions

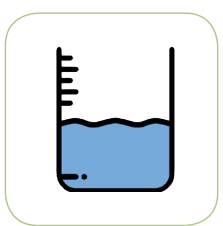
To Measure, Monitor and Control



Flow



Pressure



Level



Temperature



Analytical

For The Process Industries

Gauge/Absolute Pressure Transmitter

AT3051TG/TA Series

■ DESCRIPTION

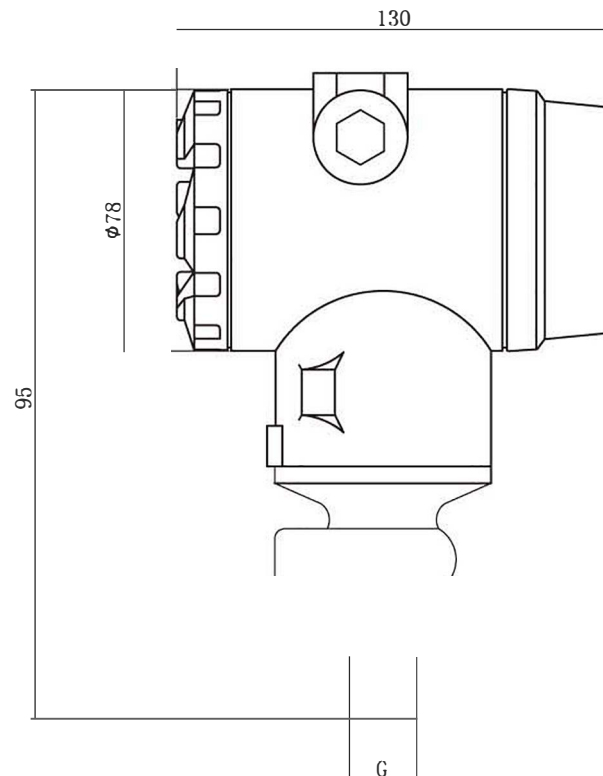
AT3051TG/TA series is a digital pressure transmitter designed for industrial pressure measurement applications. The AT3051TG(TA) offer configurations for gauge pressure, absolute pressure and vacuum including integrated solutions for industrial applications.

■ FEATURES

- Updating time of output current in 90 ms
- Improved performance, increased accuracy and greater stability
- Two years stability of 0.2%
- 0.1% accuracy
- Parameter setting by keypad directly
- 4-20 mA output plus direct digital HART communication
- Automatic zero calibration by press-button
- Explosion proof and weather proof housing



■ DIMENSIONS



AE PRESSURE TRANSMITTER

■ MODEL SELECTION

Item	Code	Specification
AT3051TG		Gauge Pressure Transmitter
AT3051TA		Absolute Pressure Transmitter
Measurement Range	3	0~7.5 Kpa
	4	0~37.4 Kpa
	5	0~186.8 Kpa
	6	0~690 Kpa
	7	0~2068 Kpa
	8	0~6890 Kpa
	9	0~20680 Kpa
	0	Customized
Output	5	4-20mA, HART Protocol, Linear Output
Diaphragm Material	2	Stainless Steel 316L
	3	Hastelloy C
	4	Tantalum
Fill Fluid	2	Silicone Oil
	3	Fluorine Oil
Process Connection	D	1/2" NPT F
	A	M20*1.5
	B	1/2" NPT M
	C	G 1/2"
	M	Customized
Cable Entry	1	M20*1.5
	2	1/2" NPT
Mounting Bracket	B00	None
	B58	Mounting Bracket
Optional	d	Intrinsically Safe Type, Flameproof (Exd IIC T6 Gb)
	i	Intrinsically Safe (Exia IIC T6 Ga)
	M3	LCD Display
	K1	Degreasing Treatment

AE PRESSURE TRANSMITTER

SP/SH Series Pressure Transmitter



■ DESCRIPTION

SP pressure transmitter,SH level transmitter is developed via international key component and advanced technology.Used to measure the pressure,level etc parameter of process fluid(liquid,gas,steam) continuously,then transfer to 4-20mA standard signal and can be combined with unit instrument or DCS system,PLC,constitute automatic control system,widely used for control and measurement in food,petroleum,chemical, metallurgy,electric power,beer,spinning,medicine etc.various industries.

■ TECHNICAL DATA

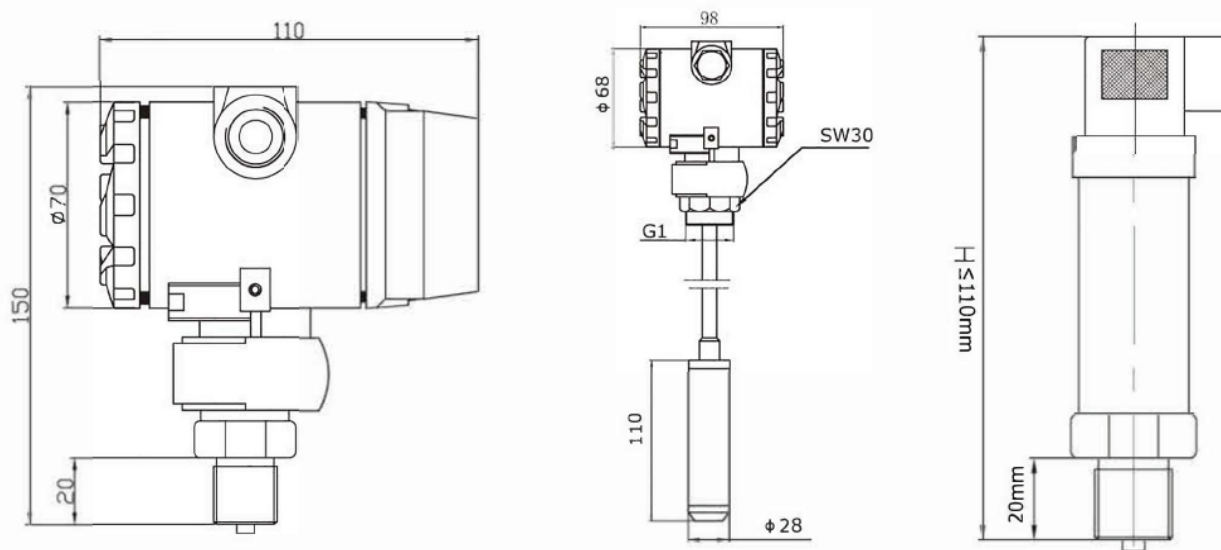
Accuracy	0.2%FS,0.5%FS
Stability	Better Than 0.25%FS Annually
Installation Location Influence	No Impact
Temperature Influence	Less $\pm 0.15\%/10^{\circ}\text{C}$
Working Voltage	9~32V DC
Ambient Temperature	-20~85 $^{\circ}\text{C}$
Medium Temperature	-40~120 $^{\circ}\text{C}$
Storage Temperature	-40~110 $^{\circ}\text{C}$
Compensation Temperature	-15~50 $^{\circ}\text{C}$
Wetted Diaphragm	SS316L
Process Connection Element	Stainless Steel
Sealing Element	Fluoro Rubber
Shell	Plastic,Molded Cast Aluminium,Aluminium Alloy
Protection	IP65

AE PRESSURE TRANSMITTER

■ MODEL SELECTION

Item	Code	Specification
SP		Pressure Transmitter
Process Connection Material	1	Stainless Steel
Process Connection	R	G 1/2"
	M	1/2" NPT M
	N	1/4" NPT M
	Y	Customized
Sealing Material	IF	Fluoro Rubber (Standard)
	IH	Fluoro Rubber Applied to Sensors(Over 10MPa)
Output	2	4-20mA (Two Wire)
	3	Customized
Shell Material and Structure	A	Aluminum Shell
	B	Stainless Steel Shell Cylinder Structure
Sensor Type	1	Diffused Silicon Type
	2	Diffusion Silicon Anti-corrosion Type
Explosion-proof Requirements	D	No Explosion-proof
	E	Explosion-proof
Accuracy	2	0.20%
	5	0.50%

■ DIMENSIONS





AE ANDERSON
EUROTECH
VALVES AND INSTRUMENTS

For Your Sales and After Sales, please contact:

Indonesia Sole Distributor

PT. Multi Sukses Pratama

Jl. Bandengan Utara No. 80
Rukan Bandengan Indah D No.20

Jakarta Utara, Indonesia

☎ (62) (21) 29379590, 29379591, 68292838, 8822918 (62)

☎ (21) 29379571

E-mail: sales@suksespratama.com