



Products and Solutions

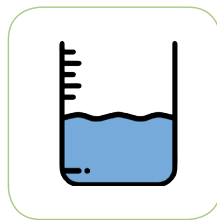
To Measure, Monitor and Control



Flow



Pressure



Level



Temperature



Analytical

For The Process Industries

Applications

AE 738 vibrating level switch is designed for liquid level detection in demanding areas of process application. Typical applications are high and low detection, overfill or dry run protection in the food & beverage, pharmaceutical, chemical, water and waste treatment industries.

Features

- Stainless steel wetted parts construction
- Simple setup and installation in vessel, tank and pipe.
- Works under turbulences, air bubbles, foam buildup, high viscosity media
- High reliability



Specifications*

Materials

Fork and Fitting : Stainless steel 316L
 Seal and Housing : Klingersil / Stainless steel 316L / Plastic

Connections

Electrical connections : Cable plug to EN 175301-803
 Process connections : BSP Male Thread 3/4" or 1"

Pressure

Media pressure : Up to 64 bar

Temperature

Media temperature : -40 to 100°C
 Ambient temperature : -40 to 70°C

Protection

IP65

Accuracy

Hysteresis : Approx. 2 mm with vertical installation
 Delay time / Frequency : Approx. 500 ms / Approx. 1,200 Hz

Dynamic Viscosity / Density

0.1 to 10,000 mPa.s / 0.7 to 2.5 g/cm³

Surface Finish

Ra < 3.2 µm

Output

PNP Transistor output or Contactless Electronic Switch output

Electrical Data

Sensor with PNP Transistor Output

Power Supply : 10 - 55 VDC
 Power Consumption : max. 0.5 W
 Load Current : Max. 250 mA
 (overload and short circuit proof)
 Voltage Loss : Max. 1 VDC
 Turn-on Voltage : Max. 55 VDC
 Blocking Current : < 10 µA
 Mode : Min./Max. changeover by electrical connection
 Max. Overfill protection
 Min. Dry Run protection
 Green and Red LED indication

Sensor with Contactless Electronic Switch Output

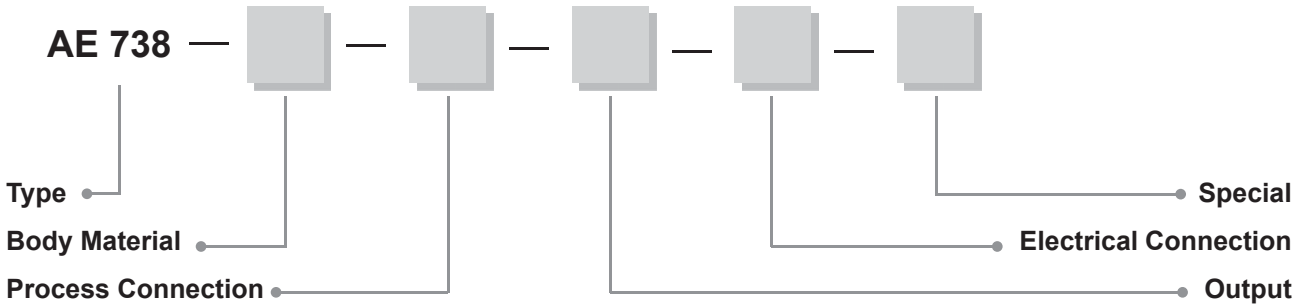
Power Supply : 20 - 253 VAC, 50/60Hz
 Domestic Current Requirement : Approx. 3 mA
 (via the load circuit - Not with PLC)
 Load Current : Min. 10 mA
 Max. 250 mA
 Mode : Min./Max. changeover by electrical connection
 Max. Overfill protection
 Min. Dry Run protection

* Other versions and specification available on request

AE718 VIBRATING LEVEL SWITCH

How To Order

Standard Version (Special Options On Request)



Code	Body Material
SS	Stainless steel

Code	Process Connection
MPP3/4	3/4" BSPP Male Connection
MPP1	1" BSPP Male Connection

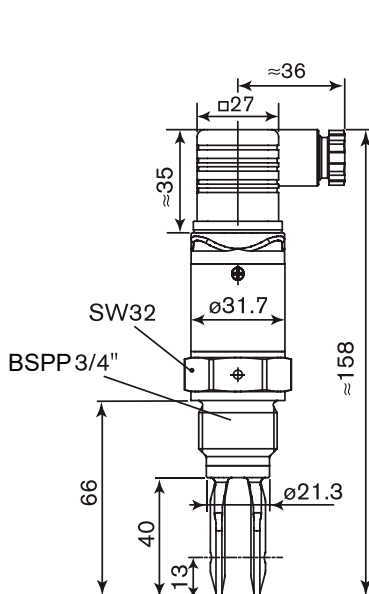
Code	Output
TPNP	Transistor PNP
CLES	Contactless Electronic Switch

Code	Electrical Connection
D	Cable Plug EN 175301-803
0	Bare Terminals (No Cable Plug)

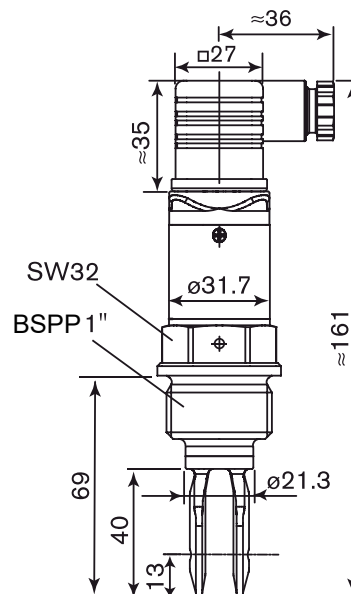
Code	Special
0	Standard Version

Dimensions (mm)

3/4" BSPP Male Connection



1" BSPP Male Connection





AE ANDERSON
EUROTECH
VALVES AND INSTRUMENTS

For Your Sales and After Sales, please contact:

Indonesia Sole Distributor

PT. Multi Sukses Pratama

Jl. Bandengan Utara No. 80
Rukan Bandengan Indah D No.20

Jakarta Utara, Indonesia

☎ (62) (21) 29379590, 29379591, 68292838, 8822918 (62)

☎ (21) 29379571

E-mail: sales@suksespratama.com