



## Products and Solutions

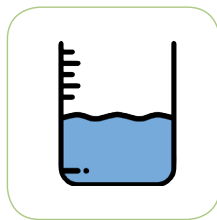
To Measure, Monitor and Control



Flow



Pressure



Level



Temperature



Analytical

For The Process Industries

# AE PRESSURE SWITCH (Weather Proof) PISTON TYPE



GOST

## Special Features

- High accuracy & repeatability
- SS wetted parts
- Set point locking
- Highly reliable
- Diaphragm seals (optional)

## Applications

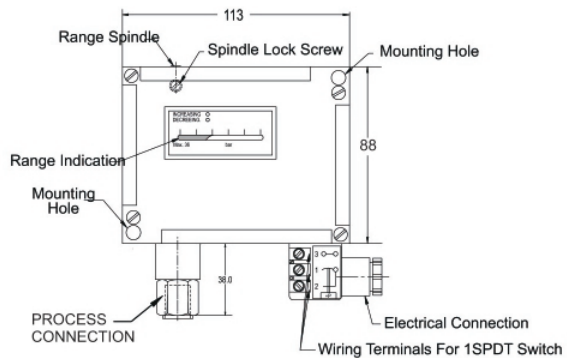
- Boiler, furnace, railway engines.
- Oil & gas, conventional & nuclear power plants, mines, iron & steel plants, refineries, petrochemical, hydraulics, food & pharmaceutical, chemical & fertilizer, cement, textile, glass, paint, pulp & paper, marine industries.

## Specifications

### Standard Version

Repeatability	:	± 1% F. S.
Scale Unit	:	bar
Range	:	Refer "how to order"
Set point	:	Between 20 to 80% F. S. for better performance
Over pressure limit	:	150% of F. S.
Differential	:	Fixed
Mounting	:	Bottom / Panel
Process connection	:	1/4" NPT (F)
Enclosure protection	:	W/P to IP 66
Enclosure material	:	Pressure die cast aluminum
Maximum process temperature	:	150 °C
Ambient temperature	:	-10 to 60 °C
Switch	:	1 SPDT, snap action micro switch
Switch rating	:	15 A, 250 VAC, 0.2 A, 220 VDC
High voltage strength	:	0.5 to 0.6 KV between open contacts and 2 KV between contacts and body
Insulation resistance	:	>100 M ohms at 500 V
Sensing element	:	Piston
Wetted parts	:	AISI 316 SS
Cable entry	:	PG 13.5 mm
Scale Accuracy	:	± 1.0% F. S.
Conformity	:	BS 6134

## Dimensional Details



Notes : • Drawings are not to scale. • All dimensions are in mm.

# AE PRESSURE SWITCH (Weather Proof) PISTON TYPE

How To Order						Example		
<b>Basic Model</b>						ZPPW		
<b>Range</b>						XXXX		
<b>Ordering Code</b>	<b>Range (bar)</b>	<b>Ordering Code</b>	<b>Range (bar)</b>	<b>Ordering Code</b>	<b>Range (bar)</b>			
PC60	5 to 60	P160	10 to 160	P400	40 to 400			
P100	10 to 100	P250	10 to 250	P600	60 to 600			
Note : Other equivalent scale units like kg/cm <sup>2</sup> , kPa, MPa, psi, mmWC etc can be provided on request.								
<b>Wetted Parts</b>						XX		
C6	AISI 316 SS (standard)		SL	AISI 316L SS				
<b>Differential</b>						X		
F	Fixed (standard)							
<b>Note :</b>								
Fixed : 1 SDDT = 3 to 5% F.S.								
2 SPDT = 4.5 to 7.5% F.S.								
1 DPDT = 4.5 to 7.5% F.S.								
<b>Type of Micro Switch</b>						XX		
1S	1 SPDT		2S	2 SPDT			1D	1 DPDT
<b>Micro Switch Rating</b>						XXX		
Switch Code	Description	AC Rating	AC Rating (Resistive)	DC Rating (Inductive)	Available on 1 SPDT		Available on 2 SPDT	
GPL	Low dead band and fixed	15 A 250 V	2 A 24 V 0.4 A 110 V 0.2 A 220 V	2 A 24 V 0.4 A 110 V 0.2 A 220 V	Fixed differential of ZPP		Fixed differential of ZPP	
GPH	Standard dead band	15 A 250 V	6 A 24V 0.5 A 110 V 0.25 A 220 V	5 A 24 V 0.05 A 110 V 0.03 A 220 V	Fixed differential of ZPP		Fixed differential of ZPP	
GPA	Adj. differential micro switch	15 A 250 V			Adj. differential of ZPP		NA	
GPG	Gold plated contact	1 A 125 V	0.5 A 28 V		Fixed differential of ZPP		Fixed differential of ZPP	
SES	Environmentally sealed silver contact	15 A 250 V	0.4 A 125 V		Fixed differential of ZPP		Fixed differential of ZPP	
SEG	Environmentally sealed silver contact		1 A 28 V		Fixed differential of ZPP		Fixed differential of ZPP	
HSS	Hermetically sealed silver plated	4 A 230 V	3 A 28 V	2 A 24 V	Fixed differential of ZPP		Fixed differential of ZPP	
HSG	Hermetically sealed gold plated	1 A 125 V	NA	NA	Fixed differential of ZPP		Fixed differential of ZPP	
HDC	High DC rating	10 A 125 V	10 A 125 V	6 A 125 V	Fixed differential of ZPP		Fixed differential of ZPP	
DPD	DPDT Micro switch	10 A 125 V	0.2 A 250 V		Fixed & adjustable differential of ZPP		NA	

# AE PRESSURE SWITCH (Weather Proof) PISTON TYPE

How To Order						Example				
<b>Calibration</b>						X				
I	Increasing	D	Decreasing							
<b>Process Connections</b> (* Please mention the flange face and flange finish)						XXX				
		Through Adaptors		Flanged (As per ANSI B 16.5)*						
2NM	1/4" NPT (M)	3BM	3/8" BSP (M)	B09	1/2" 150 #		B21	1" 150 #	B39	2" 150 #
2NF	1/4" NPT (F) (Standard)	3BF	3/8" BSP (F)	B10	1/2" 300 #		B22	1" 300 #	B40	2" 300 #
		4BM	1/2" BSP (M)	B11	1/2" 600 #		B23	1" 600 #	B41	2" 600 #
		4BF	1/2" BSP (F)	B15	3/4" 150 #		B33	1 1/2" 150 #	B51	3" 150 #
		4NM	1/2" NPT (M)	B16	3/4" 300 #		B34	1 1/2" 300 #	B52	3" 300 #
		4NF	1/2" NPT (F)	B17	3/4" 600 #		B35	1 1/2" 600 #	B53	3" 600 #
<b>Cable Entry</b>							XXX			
DIN	DIN Connection*	ETE	3/4" ET	ECB	3/4" ET DCCG Brass			4PN	4 PIN Connection*	
PGE	PG 13.5 (Std)	2NP	1/2" NPT (F)	NPB	1/2" NPT DCCG Brass	7PN		7 PIN Connection		
ECS	3/4" ET DCCG SS	NPS	1/2" NPT DCCG SS							
* For 1 SPDT										
<b>Options</b>						XX				
PW	Calibration certificate	WM	Wall mounting bracket (steel plated)							
SX	SS Tag plate	PM	2" Pipe mounting							
GH	Material test certificates***	JU	2" Pipe/yoke mounting bracket & 'U' clamp (AISI 304 SS)							
SG	Oxygen service	FN	2" Pipe/yoke mounting bracket & 'U' clamp (AISI 316 SS)							
PU	Calibration certificate traceable to national/international standards									
<b>Accessories (refer individual datasheet for complete specifications)</b>										
EB	Cooling tower	ED	Overload protector	EG	Snubber					
EC	Gauge cock	NV4	Needle valve	EH	Syphon					
DS	Diaphragm seals	EL	Cooling capillary	VM	Manifolds					

\*\*\*Material test certificates will be provided for wetted parts only with chemical composition testing.

For others, please consult factory.

**Ordering Example: ZPPW . XXXX . XX . X . XX . XXX . X . XXX . XXX . XX**

Note : In 2 SPDT Instruments, there may be an error of max  $\pm 2\%$  F. S. between micro switches at the set point.

# AE DIFFERENTIAL PRESSURE SWITCH (Weather Proof) DIAPHRAGM TYPE



## Special Features

- High accuracy & repeatability
- SS wetted parts
- Set point locking
- Highly reliable
- Diaphragm seals (optional)

## Applications

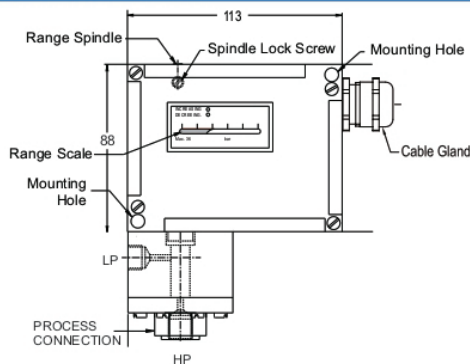
- Filter monitoring, boiler, furnace, railway engines
- Oil & gas, conventional & nuclear power plants, mines, iron & steel plants, refineries, petrochemical, food & pharmaceutical, chemical & fertilizer, cement, textile, pumps, glass, paint, pulp & paper, marine industries.

## Specifications

### Standard Version

Repeatability	:	± 0.5% F. S.
Scale unit	:	bar
Range	:	Refer "how to order"
Set point	:	Between 20 to 80% F. S. for better performance
Overpressure limit	:	150% of F. S.
Differential	:	Fixed
Mounting	:	Direct / Panel
Process connection	:	1/4" NPT (F)
Enclosure protection	:	W/P to IP 66
Enclosure material	:	Pressure die cast aluminum
Maximum process temperature	:	150 °C
Ambient temperature	:	-10 to 60 °C
Switch	:	1 SPDT, snap action micro switch
Switch rating	:	15 A, 250 VAC, 0.2 A, 220 VDC
High voltage strength	:	0.5 to 0.6 KV between open contacts and 2 KV between contacts and body
Insulation resistance	:	>100 M ohms at 500 V
Sensing element	:	Diaphragm
DP chamber material	:	Aluminum (for range 5 to 600 mbar) AISI 316 SS (for range 3 to 20 mbar & 1 to 25 bar)
Sensing element material	:	AISI 316L SS
Cable gland	:	PG 13.5 mm
Scale Accuracy	:	± 1.0% F. S.
Conformity	:	BS 6134

## Dimensional Details



Notes : • Drawings are not to scale. • All Dimensions are in mm.

# AE DIFFERENTIAL PRESSURE SWITCH (Weather Proof) DIAPHRAGM TYPE

## How To Order Example

### Basic Model

Range (\* With 1 SPDT only)

Ordering Code	Range (mbar)	Ordering Code	Range (bar)
W020*	3 to 20	P001	0.1 to 1
W060	5 to 60	P002	0.2 to 2
W100	10 to 100	P004	0.4 to 4
W250	25 to 250	P006	0.6 to 6
W400	40 to 400	P010	1 to 10
W600	60 to 600	P016	1 to 16
		P025	2 to 25

Note : Other equivalent scale units like kg/cm<sup>2</sup>, kPa, MPa, psi, mmWC etc can be provided on request.

### DP Chamber Material

C6 AISI 316 SS

SL AISI 316L SS

### Sensing Element Material

SL AISI 316L SS (Standard)

### Differential

F Fixed (Standard)

A Adjustable (For 1 SPDT & Only with GPA Switch)

Note : 1 SPDT = 3 to 5% FS

2 SPDT = 4.5 to 7.5% FS

1 DPDT = 7.5 to 19% FS

Adjustable : 1 SPDT = 5 to 12.5% FS

### Type of Micro Switch

1S 1 SPDT

2S 2 SPDT

1D 1 DPDT (For range codes P002 to P025 only)

### Micro Switch Rating

Switch Code	Description	AC Rating	AC Rating (Resistive)	DC Rating (Inductive)
GPL	Low dead band and fixed	15 A 250 V	2 A 24 V 0.4 A 110 V 0.2 A 220 V	2 A 24 V 0.4 A 110 V 0.2 A 220 V
GPH	Standard dead band	15 A 250 V	6 A 24V 0.5 A 110 V 0.25 A 220 V	5 A 24 V 0.05 A 110 V 0.03 A 220 V
GPA*	Adj. differential micro switch	15 A 250 V		
DPD	DPDT Micro Switch	10 A 125 V	0.2 A 250 V	

(\*For 1 SPDT switch only)

# AE DIFFERENTIAL PRESSURE SWITCH (Weather Proof) DIAPHRAGM TYPE

How To Order						Example				
<b>Calibration</b>						X				
I	Increasing	D	Decreasing							
<b>Process Connections</b> (* Please mention the flange face and flange finish)						XXX				
		Through adaptors	Flanged (As per ANSI B 16.5)*							
2NM	1/4" NPT (M)	3BM	3/8" BSP (M)	B09	1/2" 150 #		B21	1" 150 #	B39	2" 150 #
2NF	1/4" NPT (F) (Standard)	3BF	3/8" BSP (F)	B10	1/2" 300 #		B22	1" 300 #	B40	2" 300 #
		4BM	1/2" BSP (M)	B11	1/2" 600 #		B23	1" 600 #	B41	2" 600 #
		4BF	1/2" BSP (F)	B15	3/4" 150 #		B33	1 1/2" 150 #	B51	3" 150 #
		4NM	1/2" NPT (M)	B16	3/4" 300 #		B34	1 1/2" 300 #	B52	3" 300 #
		4NF	1/2" NPT (F)	B17	3/4" 600 #		B35	1 1/2" 600 #	B53	3" 600 #
<b>Cable Entry</b>							XXX			
DIN	DIN Connection*	ETE	3/4" ET	ECB	3/4" ET DCCG Brass			4PN	4 PIN Connection*	
PGE	PG 13.5 (Std)	2NP	1/2" NPT (F)	NPB	1/2"NPT DCCG Brass	7PN		7 PIN Connection		
ECS	3/4" ET DCCG SS	NPS	1/2"NPT DCCG SS			9PN		9 PIN Connection		
* For 1 SPDT										
<b>Options</b>						XX				
PW	Calibration certificate	WM	Wall mounting bracket (steel plated)							
SX	SS Tag plate	PM	2" Pipe mounting							
TF	Conformity as per NACE Standard	JU	2" Pipe/yoke mounting bracket & 'U' clamp (AISI 304 SS)							
GH	Material test certificates***	FN	2" Pipe/yoke mounting bracket & 'U' clamp (AISI 316 SS)							
SG	Oxygen service									
PU	Calibration certificate traceable to national/international standards									
<b>Accessories (refer individual datasheet for complete specifications)</b>										
EB	Cooling tower	ED	Overload protector	EG	Snubber					
EC	Gauge cock	NV4	Needle valve	EH	Syphon					
DS	Diaphragm seals	EL	Cooling capillary	VM	Manifolds					

\*\*\*Material test certificates will be provided for wetted parts only with chemical composition testing. For others, please consult factory.

**Ordering Example:** ZDDW . XXXX . XX . XX . X . XX . XXX . X . XXX . XXX . XX

Note : In 2 SPDT Instruments, there may be an error of max ± 2% F. S. between Micro Switches at the set point.

# AE PRESSURE SWITCH BELOW TYPE (Industrial)



GOST

## Special Features

- Compact & economical
- Reliable
- Field adjustable
- Auto reset

## Applications

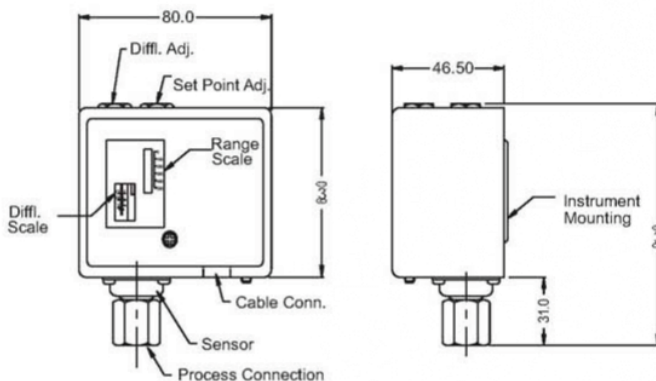
- Boilers
- Water treatment
- Fire fighting systems
- Compressors

## Specifications

### Standard Version

Repeatability	: ± 2% F. S.
Accuracy	: ± 5% F. S.
Scale unit	: bar with psi
Range	: Refer "How to order"
Differential	: Adjustable
Mounting	: Bottom / Panel
Mounting accessories	: Mounting bracket with screws
Process connection	: 1/4" BSP (F)
Enclosure protection	: IP 32
Enclosure material	: Steel (plated) with plastic cover
Maximum process temperature	: 100 °C
Ambient temperature	: -10 to 60 °C
Switch	: 1 SPDT
Switch rating	: 15 A, 220 VAC & 10 A, 24 VDC
Sensing element	: Phosphor bronze bellows
Process medium	: Air, oil & water

## Dimensional Details



Notes : • Drawings are not to scale. • All Dimensions are in mm.

## How To Order

## Example

### Basic model

### Range

Ordering Code	Model No.	Range (bar)		Differential (bar)	
		Min	Max	Min	Max
3	UT3	0	3	0.25	1.5
6	UT6	0	6	0.6	3
10	UT10	0	10	1	3
16	UT16	3	16	1	4
20	UT20	5	20	2	5
30	UT30	5	30	5	12

### Options (\* through adaptors)

**PW** Calibration certificate    **2NM** 1/4" NPT (M)\*    **2NF** 1/4" NPT (F)\*    **SX** SS Tag plate

### Ordering example: UT . X OR XX . XX

**Note** : Specifications and dimensions given in this product catalogue represents the state of engineering at the time of printing. Modifications may take place and materials specified may be replaced by others without prior notice.

# AE ADJUSTABLE DEAD BAND PRESSURE SWITCH DIAPHRAGM TYPE



GOST

## Special Features

- Fixed dead band (optional)
- Weatherproof to IP66
- Sleek & reliable
- Field adjustable
- High repeatability

## Application

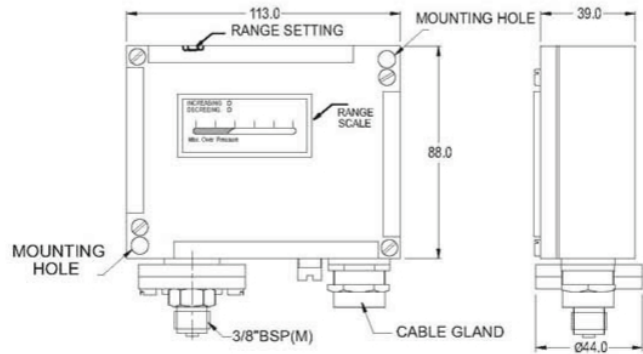
- Railways
- Compressors & boilers
- Water treatment
- Fire fighting systems
- Lubrication industries

## Specifications

### Standard Version

Repeatability	: ± 1% F. S.
Range	: Refer "how to order"
Mounting	: Bottom / Panel
Process connection	: 3/8" BSP (M)
Enclosure protection	: W/P to IP 66
Enclosure material	: Pressure die cast aluminum
Maximum process temperature	: 150 °C
Ambient temperature	: -10 to 60 °C
Switch	: 1 SPDT (adjustable)
Switch rating	: 15 A, 250 VAC & 0.4 A, : 110 VDC
Sensing element	: Diaphragm, AISI 316L SS
Other wetted parts	: AISI 304 SS
Process medium	: Air, oil & water
Scale Accuracy	: ± 3.0% F. S.
Electrical connection	: PG 13.5 mm cable gland

## Dimensional Details



Notes : • Drawings are not to scale. • All dimensions are in mm.

## How To Order

### Basic model

### Range

Ordering code	Model no.	Range (bar)	Differential (bar)
<b>VA</b>	CNI - VAC	-1 to 0	0.1 to 0.50
<b>WC</b>	CNI - WC	0 to 300 cmWC	10 to 50 cmWC
<b>1</b>	CNI - 1	0.1 to 1.1	0.08 to 0.20
<b>3</b>	CNI - 3	0.4 to 4	0.08 to 0.30
<b>6</b>	CNI - 6	0.6 to 6	0.25 to 1.5
<b>10</b>	CNI - 10	1 to 10	0.3 to 1.3
<b>16</b>	CNI - 16	1 to 16	1 to 5
<b>30</b>	CNI - 30	2 to 32	1 to 5
<b>40</b>	CNI - 40	4 to 40	2 to 6

Note : Other equivalent scales units like kg/cm<sup>2</sup>, kPa, MPa, psi, mmWC etc can be provided on request.

### Calibration

**I** Increasing      **D** Decreasing (not applicable for adj. differential)

### Options

<b>PW</b> Calibration certificate	<b>4NM</b> ½" NPT (M) adaptor	<b>SX</b> SS Tag plate	<b>DC</b> Double compression
<b>1F</b> 1 SPDT switch with fixed dead band	<b>4NF</b> ½" NPT (F) adaptor	<b>WM</b> Wall mounting bracket	cable gland
<b>2F</b> 2 SPDT switch with fixed dead band	<b>S6</b> Wetted parts AISI 316 SS	<b>PM</b> 2" Pipe mounting	<b>SG</b> Oxygen service

Ordering example : CNI . X or XX . X . XX or XXX

Note : Specifications and dimensions given in this product catalogue represents the state of engineering at the time of printing. Modifications may take place and materials specified may be replaced by others without prior notice.



**AE** ANDERSON  
EUROTECH  
VALVES AND INSTRUMENTS

For Your Sales and After Sales, please contact:

Indonesia Sole Distributor

**PT. Multi Sukses Pratama**

Jl. Bandengan Utara No. 80  
Rukan Bandengan Indah D No.20

Jakarta Utara, Indonesia

☎ (62) (21) 29379590, 29379591, 68292838, 8822918 (62)

☎ (21) 29379571

E-mail: [sales@suksespratama.com](mailto:sales@suksespratama.com)