

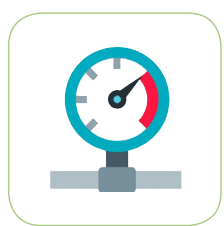


Products and Solutions

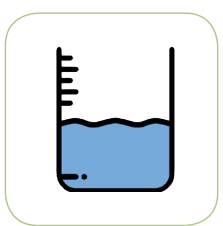
To Measure, Monitor and Control



Flow



Pressure



Level



Temperature



Analytical

For The Process Industries

AE719-200M Limit Switch Box (For Rotary Pneumatic Actuator and Valve)



Features

- Compact powder coated aluminium die-cast housing - weather proof to IP67
- Adjustable visual position indicator
- Quick-set cam for easy setting
- Dual cable entries and captive cover bolts design
- Namur mounting interface standard
- Include stainless steel mounting bracket

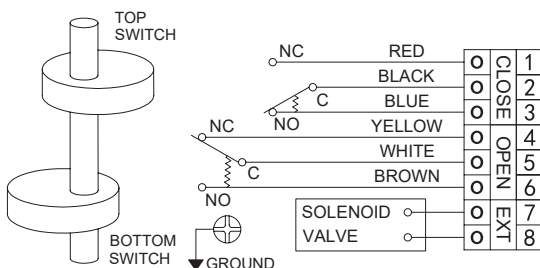
Specifications

Enclosure	IP 67 (with proper installation)
Ambient Temperature	-20°C to +80°C
Electrical Connection	2 x NPT 1/2"
Terminal Block	8 points
Switch Type	2 x Mechanical Switches
Switch Rating	250VAC: 16A / 10A (res / ind) 250VDC: 0.3A, 125VDC: 0.6A, 30VDC: 10A
Indicator	0° / 90° Close Red / Open Yellow
Bracket Dimension	Adjustable Frame For 30 x 80 x H20 30 x 130 x H30 / H50

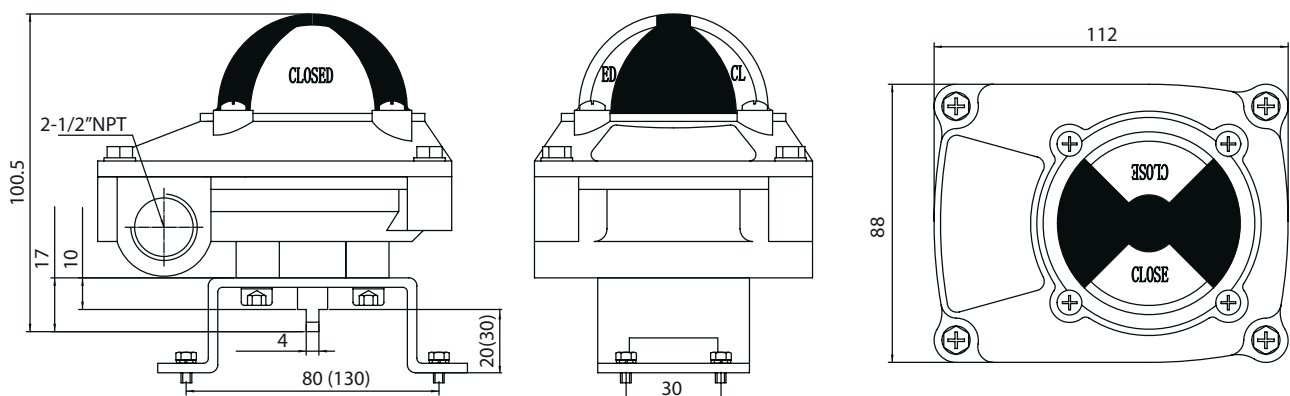
Parts and Materials

Parts Name	Qty	Material
Housing and Housing-Cover	1	Powder Coated Die Cast Aluminum Alloy
Shaft	1	Stainless Steel
Indicator Cover	1	PC
Indicator	1	ABS
Micro Switch	2	Mechanical
Terminal Block	8	Plastic
Cam	2	ABS
Spring	1	Stainless Steel
Housing Fasteners	4	Stainless Steel
Shaft O Ring	1	NBR
Cover O Ring	1	NBR
Indicator Cover O Ring	1	NBR
Bushing	1	Copper
Grounding	1	Stainless Steel
Circlip	1	Carbon Steel
Mounting Bracket	1	Stainless Steel

Limit Switch Box with 2 x SPDT Wiring Diagram



Dimensions (mm)



The specifications given in this document represent the state of engineering at the time of publishing. We reserve the right to make modifications to the specifications and materials.

Positioners (Electro-Pneumatic Rotary or Linear Type)



Design

The Electro-Pneumatic Positioner is used for operation of pneumatic rotary/linear valve actuators and accurately controls the valve stroke in response to an input signal of 4 to 20mA from controller or control system. The positioners are designed for ease of use and incorporate features and functions as follow:

- Compatible with most controllers
- Simple zero and span adjustment
- No resonance between 5-200Hz
- Auto/Manual switch
- Direct, reverse action and 1/2 split range setting by simple adjustment.
- Fast and accurate response
- Low air consumption
- Internal and external position transmitter and/or limit switch available for position feedback

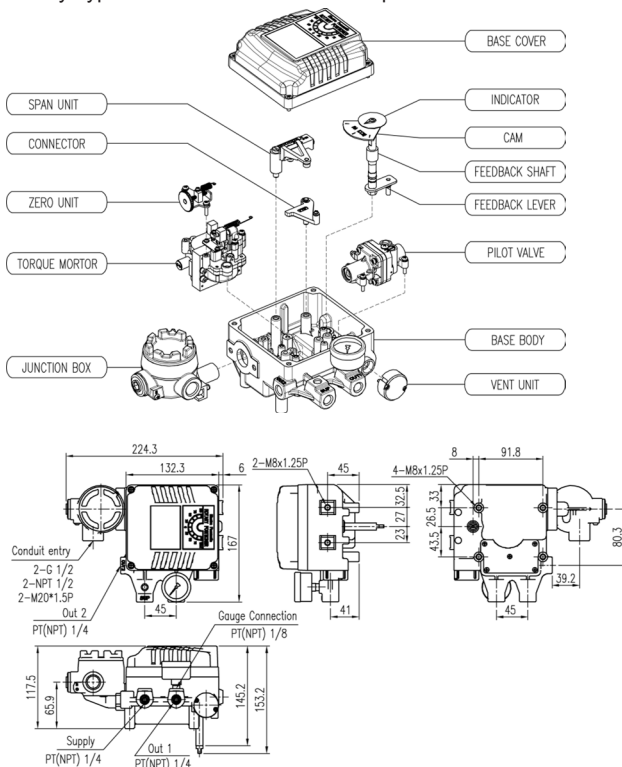
Specifications

Input Signal	4 - 20mA DC
Impedance	250 \pm 15 Ω
Supply Pressure	1.4 to 7 bar
Stroke	10 - 150mm (Linear Type)
	0 - 90° (Rotary Type)
Air Connection	NPT1/4 (PT, G on request)
Gauge Connection	NPT1/8 (PT, G on request)
Conduit	NPT1/2 (G, PF, M20 on request)
Ingress Protection	IP66
Operating Temp	-20°C to 70°C
Linearity	\pm 1% F.S. (Single Acting Version)
	\pm 2% F.S. (Double Acting Version)

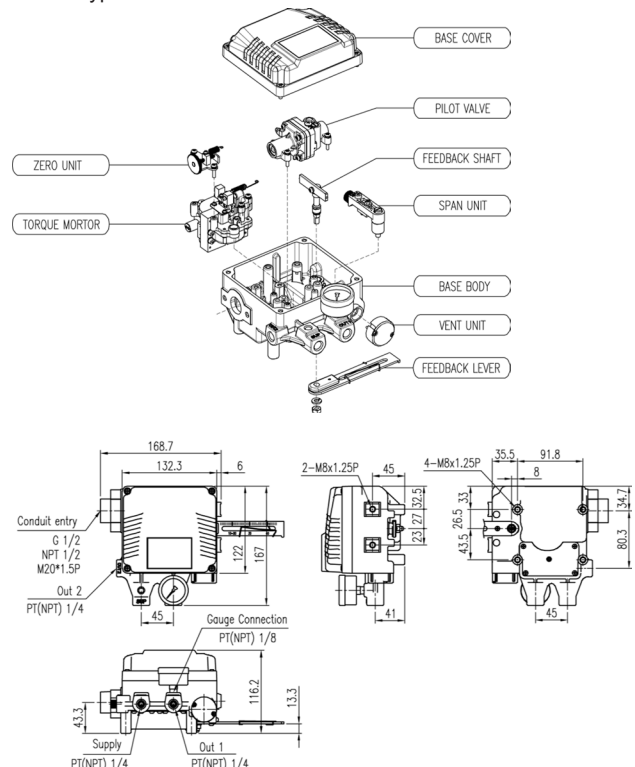
Hysteresis	\pm 1% F.S.
Sensitivity	\pm 0.2% F.S. (Single Acting Version)
	\pm 0.5% F.S. (Double Acting Version)
Repeatability	\pm 0.5% F.S.
Air Consumption	2.5 LPM (@ 1.4 bar)
Flow Capacity	80 LPM (@ 1.4 bar)
Material	Aluminum Diecasting
Weight	2.7 kg (Linear Type)
	2.8 kg (Rotary Type)
Options or Other Types Available On Request	
Ex-Proof Version, Full Stainless Steel Version, Smart Type with integrated PID, with Limit Switch Position Feedback, with Transmitter Position Feedback, Pneumatic-Pneumatic Type	

Construction and Dimension (mm)

Rotary Type with Namur interface and optional Junction Box



Linear Type





AE ANDERSON
EUROTECH
VALVES AND INSTRUMENTS

For Your Sales and After Sales, please contact:

Indonesia Sole Distributor

PT. Multi Sukses Pratama

Jl. Bandengan Utara No. 80
Rukan Bandengan Indah D No.20

Jakarta Utara, Indonesia

☎ (62) (21) 29379590, 29379591, 68292838, 8822918 (62)

☎ (21) 29379571

E-mail: sales@suksespratama.com