



Products and Solutions

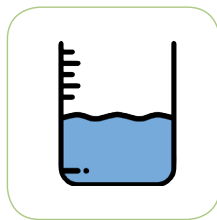
To Measure, Monitor and Control



Flow



Pressure



Level



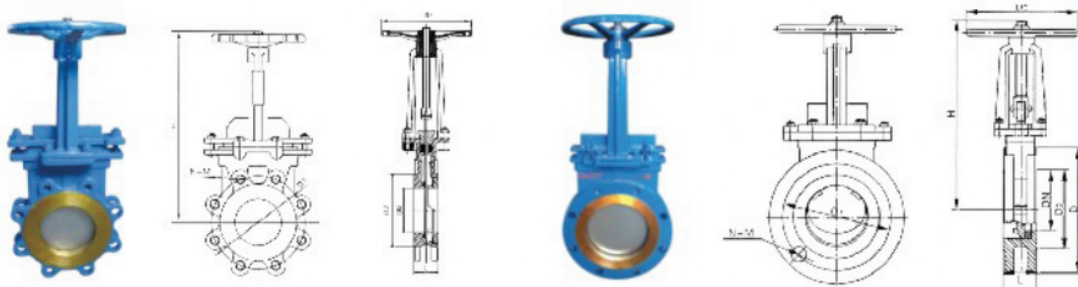
Temperature



Analytical

For The Process Industries

AE MANUAL LUG/FLANGE KNIFE GATE VALVE



Technical parameters

Nominal pressure	0.6MPa, 1.0MPa, 1.6MPa, 150Lb
Nominal diameter	DN50 ~ 1200mm NPS 2" ~ 40"
Suitable temperature	-38 ~ +900°C (The specific temperature range depends on the material of the seal and the properties of the medium)
Connecting flange	ANSI B16.5, GB/T9113, JB/T79, HG, SH, JIS, DIN, NF, BS
Host materials	WCB, ZG1Cr18Ni9Ti, ZG1Cr18Ni12Mo2Ti, CF8, CF8M, CF3, CF3M
Seal type	Hard seal, soft seal
leakage	Hard seal D-level (liquid 0,1 x DNmm ³ /e) Soft seal a-level (zero leakage)
Provide ancillary	Mounting flange

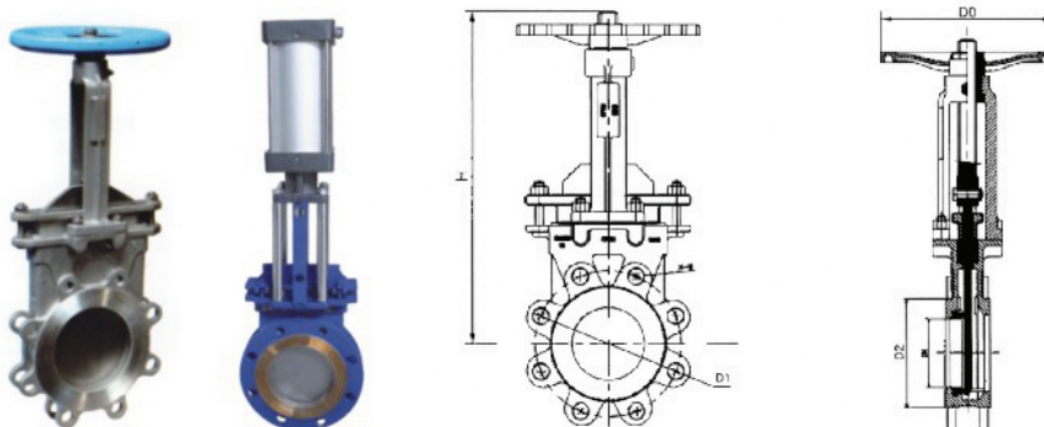
Main external and connecting dimensions(mm)

MPa	DN	L		D	D1	D2	H	N-M	Do
		Series 1	Series 2						
1.0MPa	50	50	48	160	125	100	285	4-M16	180
	65	50	48	180	145	120	298	4-M16	180
	80	50	51	195	160	135	315	4-M16	220
	100	50	51	215	180	155	365	8-M16	220
	125	50	57	245	210	185	400	8-M16	230
	150	60	57	280	240	210	475	8-M20	280
	200	60	70	335	295	265	540	8-M20	360
	250	70	70	390	350	320	630	12-M20	360
	300	80	76	440	400	368	780	12-M20	400
	350	90	76	500	460	428	885	16-M20	400
	400	100	89	565	515	482	990	16-M22	400
	450	120	89	615	565	532	1100	20-M22	530
	500	130	114	670	620	585	1200	20-M22	530
	600	130	114	780	725	685	1450	20-M27	600
	700	154	117	895	840	800	1700	24-M27	600
	800	160	130	1010	950	898	2000	24-M30	680
900	203	160	1110	1050	1005	2300	28-M30	680	
1000	216	216	1220	1160	1115	2500	28-M30	700	
1200	254	254	1450	1380	1325	2800	32-M36	800	

Main external and connecting dimensions(mm)

MPa	DN	L		D	D1	D2	H	N-M	Do
		Series 1	Series 2						
1.6MPa	50	50	48	160	125	99	285	4-M16	180
	65	50	48	185	145	120	298	4-M16	180
	80	50	51	200	160	135	315	8-M16	220
	100	50	51	220	180	155	365	8-M16	220
	125	50	57	250	210	185	400	8-M16	230
	150	60	57	285	240	210	475	8-M20	280
	200	60	70	340	295	265	540	12-M20	360
	250	70	70	405	355	320	630	12-M24	360
	300	80	76	460	410	375	780	16-M24	400
	350	90	76	520	470	435	885	16-M24	400
	400	100	89	580	525	485	990	16-M27	400
	450	120	89	640	585	545	1100	20-M27	530
	500	130	114	715	650	609	1200	20-M30	530
	600	130	114	840	770	720	1450	20-M33	600
	700	154	117	910	840	788	1700	24-M33	600
	800	160	130	1025	950	898	2000	24-M36	680
900	203	160	1125	1050	988	2300	28-M36	680	

Note: Series 1 is GB/T15188.2-1994 (German standard DIN3202-1 999) Series 2 is American standard MSS sp-81-2006
Series 1 is preferred in cases where the customer does not specify the length of the structure.



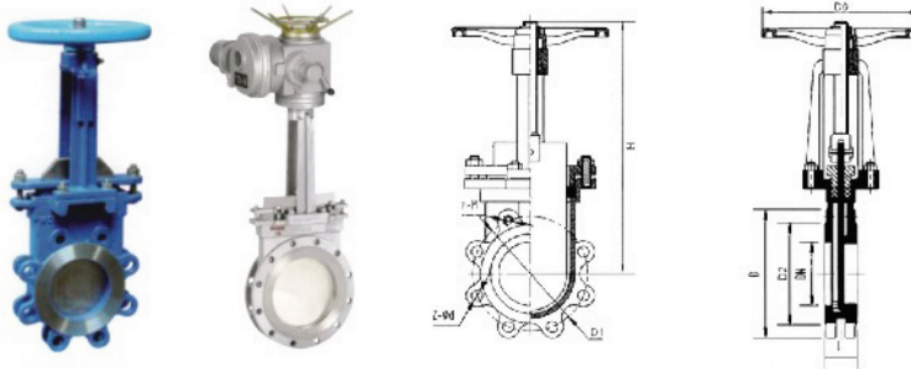
Technical parameters

Nominal pressure	0.6MPa, 1.0MPa, 1.6MPa, 150Lb
Nominal diameter	DN50 ~ 1200mm NPS 2" ~ 40"
Suitable temperature	-38 ~ +900°C (The specific temperature range depends on the material of the seal and the properties of the medium)
Connecting flange	ANSI B16.5, GB/T9113, JB/T79, HG, SH, JIS, DIN, NF, BS
Host materials	WCB, ZG1Cr18Ni9Ti, ZG1Cr18Ni12Mo2Ti, CF8, CF8M, CF3, CF3M
Seal type	Hard seal, soft seal
leakage	Hard seal D-level (liquid 0.1 x DNmm ³ /s) Soft seal s-level (zero leakage)
Provide ancillary	Mounting flange

Main external and connecting dimensions(mm)

Nominal diameter		L	D	D1	D2	Flange hole	Spindle bore
Inch	mm						
2"	50	48	152	120.5	92	4-W5/8	19
2 1/2"	65	48	178	139.5	105	4-W5/8	19
3"	80	51	190	152.5	127	4-W5/8	19
4"	100	51	229	190.5	157	8-W5/8	19
5"	125	57	254	216.5	186	8-W3/4	22
6"	150	57	279	241.5	216	8-W3/4	22
8"	200	70	343	298.5	270	8-W3/4	22
10"	250	70	406	362	324	12-W7/8	25
12"	300	76	483	432	384	12-W7/8	25
14"	350	76	533	476	413	12-W1	29
16"	400	89	597	539.5	470	16-W1	29
18"	450	89	635	578	533	16-W1 1/8	32
20"	500	114	698	635	584	20-W1 1/8	32
24"	600	114	813	749.5	692	20-W1 1/4	32
28"	700	117	927	863.6	800	28-W1 1/4	35
30"	750	117	984	914.4	857	28-W1 1/4	35
32"	800	130	1060	978	914.4	28-W1 1/2	41
36"	900	160	1168	1086	1022	32-W1 1/2	41

AE ELECTRIC KNIFE GATE VALVE



Technical parameters

Nominal pressure	0.6MPa、1.0MPa、1.6MPa、150Lb
Nominal diameter	DN50~1200mm NPS 2"~40"
Suitable temperature	-38~+900°C (The specific temperature range depends on the material of the seal and the properties of the medium)
Connecting flange	ANSI B16.5、GB/T9113、JB/T79、HG、SH、JIS、DIN、NF、BS
Host materials	WCB、ZG1Cr18Ni9Ti、ZG1Cr18Ni12Mo2Ti、CF8、CF8M、CF3、CF3M
Seal type	Hard seal, soft seal
leakage	Hard seal D-level (liquid 0.1 x DNmm ³ /s) Soft seal a-level (zero leakage)
Provide ancillary	Mounting flange

Main external and connecting dimensions(mm)

MPa	DN	L		D	D1	D2	H	N-M	Do
		Series 1	Series 2						
1.0MPa	50	50	48	160	125	100	285	4-M16	180
	65	50	48	180	145	120	298	4-M16	180
	80	50	51	195	160	135	315	4-M16	220
	100	50	51	215	180	155	365	8-M16	220
	125	50	57	245	210	185	400	8-M16	230
	150	60	57	280	240	210	475	8-M20	280
	200	60	70	335	295	265	540	8-M20	360
	250	70	70	390	350	320	630	12-M20	360
	300	80	76	440	400	368	780	12-M20	400
	350	90	76	500	460	428	885	16-M20	400
	400	100	89	565	515	482	990	16-M22	400
	450	120	89	615	565	532	1100	20-M22	530
	500	130	114	670	620	585	1200	20-M22	530
600	130	114	780	725	685	1450	20-M27	600	

MPa	DN	L		D	D1	D2	H	N-M	Do
		Series 1	Series 2						
1.6MPa	50	50	48	160	125	99	285	4-M16	180
	65	50	48	185	145	120	298	4-M16	180
	80	50	51	200	160	135	315	8-M16	220
	100	50	51	220	180	155	365	8-M16	220
	125	50	57	250	210	185	400	8-M16	230
	150	60	57	285	240	210	475	8-M20	280
	200	60	70	340	295	265	540	12-M20	360
	250	70	70	405	355	320	630	12-M24	360
	300	80	76	460	410	375	780	12-M24	400
	350	90	76	520	470	435	885	16-M24	400
	400	100	89	580	525	485	990	16-M27	400
	450	120	89	640	585	545	1100	20-M27	530
	500	130	114	715	650	609	1200	20-M30	530
600	130	114	840	770	720	1450	20-M33	600	

Note: Series 1 is GB/T15188.2-1994 (German standard DIN3202-1 999) Series 2 is American standard MSS sp-81-2006
Series 1 is preferred in cases where the customer does not specify the length of the structure.



AE ANDERSON
EUROTECH
VALVES AND INSTRUMENTS

For Your Sales and After Sales, please contact:

Indonesia Sole Distributor

PT. Multi Sukses Pratama

Jl. Bandengan Utara No. 80
Rukan Bandengan Indah D No.20

Jakarta Utara, Indonesia

☎ (62) (21) 29379590, 29379591, 68292838, 8822918 (62)

☎ (21) 29379571

E-mail: sales@suksespratama.com