



## Products and Solutions

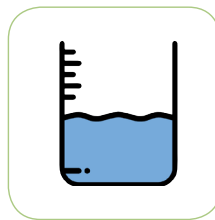
To Measure, Monitor and Control



Flow



Pressure



Level



Temperature



Analytical

For The Process Industries

# AE718 PADDLE FLOW SWITCH



## Features

- To detect liquid flow status
- Bi-directional flow detection
- Stainless steel paddle
- Easy installation
- Choice of paddle for 1" to 4" to pipe size

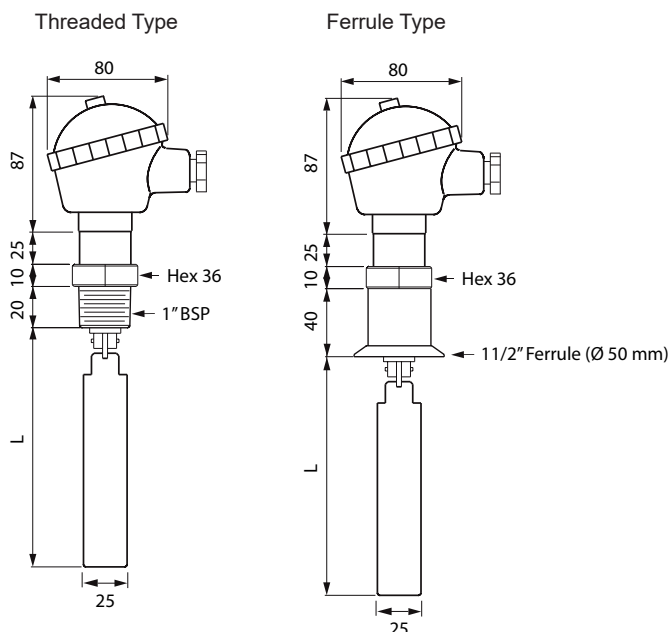
## Specifications

Housing Material	Aluminium Alloy
Paddle Material	SS304 Stainless Steel
Media Temperature	Max. 100°C
Media Pressure	Max. 16 bar
Pressure Drop	0.2 bar
Repeatability	± 5%
Contact	Magnetic Reed, SPST
Contact Rating	30W / 200VDC
Process Connection	1" BSPT Male Thread DN40 Ferrule
Electrical Connection	PG
Protection Class	IP 65
Flow Detection	Bi-direction

## Installations

- Operate by normally open magnetic reed switch. Flowing water push the paddle to change switch status.
- Mount the flow switch vertically through a socket or upstand process connection.
- The flow switch should be mounted in a horizontal pipeline.
- Ensure that the paddle is perpendicular to the flow direction during installation.
- Mount the switch in a section of pipe where there is a straight run of at least 5 pipe diameter on each side of the switch.
- Ensure enough clearance for paddle movement.

## Dimensions (mm)



Pipe Size	L	
	Threaded Type	Ferrule Type
1"	63	41
2"	88	66
3"	118	96
4"	153	131



**AE** ANDERSON  
EUROTECH  
VALVES AND INSTRUMENTS

For Your Sales and After Sales, please contact:

Indonesia Sole Distributor

**PT. Multi Sukses Pratama**

Jl. Bandengan Utara No. 80  
Rukan Bandengan Indah D No.20

Jakarta Utara, Indonesia

☎ (62) (21) 29379590, 29379591, 68292838, 8822918 (62)

☎ (21) 29379571

E-mail: [sales@suksespratama.com](mailto:sales@suksespratama.com)