

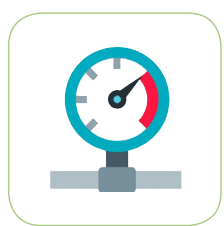


Products and Solutions

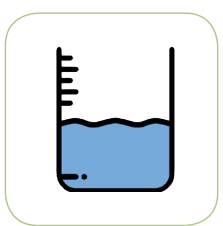
To Measure, Monitor and Control



Flow



Pressure



Level



Temperature



Analytical

For The Process Industries



Design

The AEJMOH electrical rotary actuator is a compact, powerful and reliable actuator system designed for operating quarter turn valve or other rotating devices, example damper.

Materials and components used are chosen for maintenance free operation and to ensure low thermal loading on the actuator.

The design offers many additional features that can be added to the basic device such as extra limit switches, potentiometers and emergency power. The input signals (eg. 4-20 mA, 0-20 mA, 0-10 V) as well as the output signals can be programmed for the modulating version.

The actuator can be readily fitted to any type of ball valve, butterfly valve or other devices with the standard ISO5211 mounting interface.

Specifications

Function	On/Off or Modulating
Material	
Housing	Aluminum alloy, epoxy powder coated
Gear	Steel / aluminum bronze
Screws	Stainless steel
Indicator Cover	Polycarbonate
Shaft / Adaptor	Alloy steel
Seal	NBR
Lubrication	Aluminum based grease
Technical Data	
Power Supply	24VDC, 110VAC, 220VAC
Motor	Squirrel cage asynchronous motor
Limit Switch	SPDT, 250VAC10A, each for Open and Close positions
Rotation	90° (± 10°) other rotation on request
Manual Operation	Mechanical handle standard
Conduit Entry	2 x M18
Operating Temp	-20°C to +70°C
Ambient Humidity	Max. 90% RH
Vibration Tested	XYZ10g, 0.2~34Hz, 30 minutes
Mounting	ISO5211
Torque Output	30 Nm to 1000 Nm (2000 Nm on request)
Self-locking device	Self-locking by worm and worm gear
Options Available	
Space Heater, 7 ... 10W (110/220VAC)*	
Stall Protection, internal overheating protection, open @ 120°C / close @ 97°C (± 5°C)*	
Position Feedback Potentiometer (1K ... 10K)*	
Position Feedback Sensor with Current output (4 ... 20mA)*	
Proportional Control Unit for modulating control (input/output signal, 4 ... 20mA, 1 ... 5 VDC, 1 ... 10VDC)*	
Field control unit (Local control open/stop/close switch, Local/remote control switch)*	
Power Failure Self Reset	
Quick Opening Version	

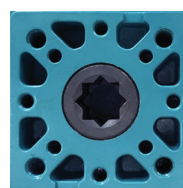
* Except JMO-03

Features

- Exquisite design, excellent performance, light weight and high output torque
- Epoxy resin and powder coated internal and external surface of enclosure for anti-corrosion protection against harsh environment
- Protection class to IP67, NEMA4 and 6
- Mounting interface to ISO5211
- Self locking worm gear structure with external adjustable mechanical limit stop
- Clear and large position indicator
- Multiple options and accessories available to meet users requirement



AEJMOH Electric Rotary Actuator with Proportional Control Unit



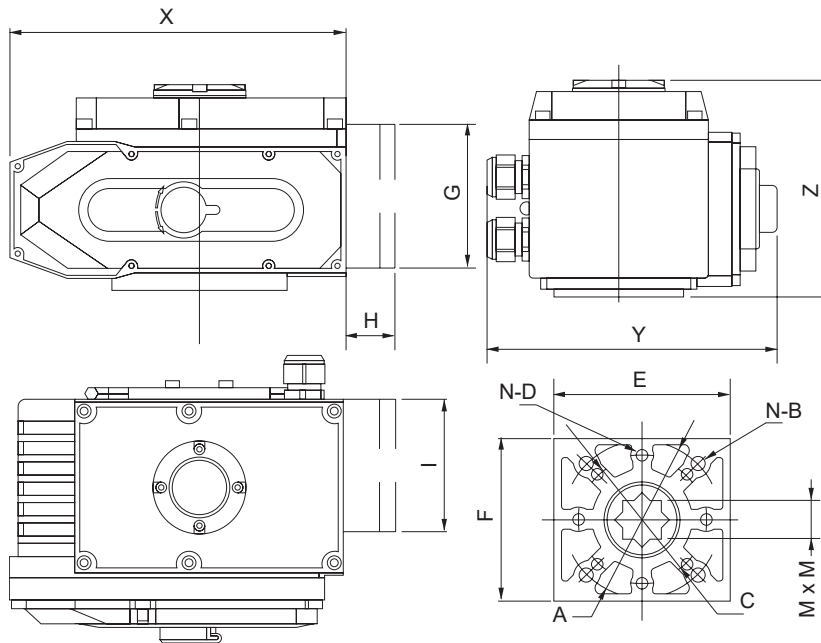
ISO5211 Mounting Interface

AE ELECTRIC ROTARY ACTUATOR - JMO SERIES

Technical Data and Specifications

Model	Max Output Torque (Nm)	Operating Time 90° (Sec)	Drive Shaft (mm)		Motor (W)	Rated Current (A) 220VAC/1ph	Weight (kg)
			Square	Depth			
AEJMOH-003	30	10	11 x 11	15	6	0.25	2.1
AEJMOH-005	50	30	14 x 14	18	10	0.25	3.5
AEJMOH-008	80	30	14 x 14	18	15	0.25	3.5
AEJMOH-010	100	30	17 x 17	22	25	0.35	5
AEJMOH-015	150	30	17 x 17	22	30	0.35	5
AEJMOH-020	200	30	22 x 22	26	40	0.48	12
AEJMOH-040	400	30	22 x 22	26	60	0.92	12
AEJMOH-060	600	30	22 x 22	32	90	0.92	14
AEJMOH-080	800	40	27 x 27	32	130	1	14.3

Dimension (mm)



Model	X	Y	Z	ØA	N-B	ØC	N-D	E	F	G	H	I	M x M
AEJMOH-003	123	100	115	50	4-M6	36	4-M4	50	50	114	40	150	11 x 11
AEJMOH-005	161	121	125	70	4-M8	50	4-M6	66	66	114	40	150	14 x 14
AEJMOH-008	188	145	127	70	4-M8	50	4-M6	100	90	114	40	150	14 x 14
AEJMOH-010	188	145	127	70	4-M8	50	4-M6	100	90	114	40	150	17 x 17
AEJMOH-015	188	145	127	70	4-M8	50	4-M6	100	90	114	40	150	17 x 17
AEJMOH-020	268	255	164	125	4-M12	102	4-M10	140	130	114	40	150	22 x 22
AEJMOH-040	268	255	164	125	4-M12	102	4-M10	140	130	114	40	150	22 x 22
AEJMOH-060	268	255	164	125	4-M12	102	4-M10	140	130	114	40	150	22 x 22
AEJMOH-080	268	255	164	125	4-M12	102	4-M10	140	130	114	40	150	27 x 27

AE BYO/BYQ SERIES ELECTRIC ROTARY ACTUATOR (Ordinary or Intelligent Type)

BYQ Intelligent Type

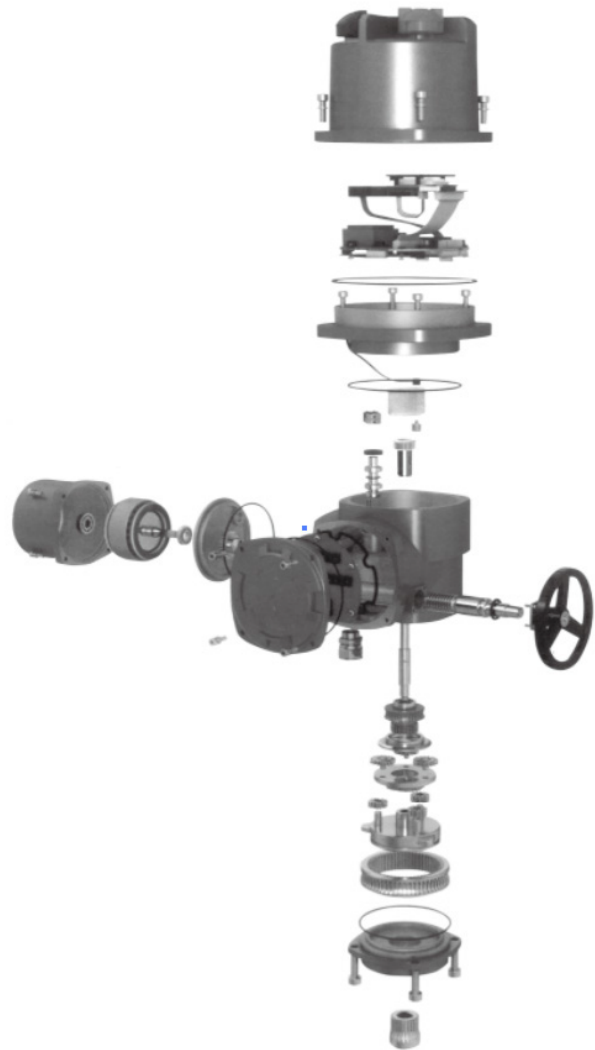


Design

AE BYO/BYQ Series Electric Actuator is a new generation of product developed based on advanced fieldbus technology, absolute coding technology, remote control technology, magnetic switch control and other latest automatic control technology.

It is idea for quarter turn valves like butterfly valves, ball valves, etc. As a stable and reliable angular travel actuator, it can be applied to the needs of different control systems and different working environments. It is compact and simple in design due to the integrated design of the transmission mechanism.

BYO Ordinary Type



General Specifications

Power Supply	AC380V 50Hz, AC220V 50Hz (other voltages on request)
Level of Protection	IP65/67 (IP68 on request)
Environment Temperature	-20 ~ +60°C (On request -40 ~ +70°C)
Relative Humidity	≤95% (+25°C)
Rating	Rated running time 10 minutes, F class insulation
Explosion Proof	Common type is used in places without flammable, explosive and strong corrosive environment. Flame proof type (ExdIIBT4) for use in explosive gas mixture environment of Class IA and IIB T1-T4 groups on request
Anti-Corrosion Coating	Paint on high heat



AE ANDERSON
EUROTECH
VALVES AND INSTRUMENTS

For Your Sales and After Sales, please contact:

Indonesia Sole Distributor

PT. Multi Sukses Pratama

Jl. Bandengan Utara No. 80
Rukan Bandengan Indah D No.20

Jakarta Utara, Indonesia

☎ (62) (21) 29379590, 29379591, 68292838, 8822918 (62)

☎ (21) 29379571

E-mail: sales@suksespratama.com