

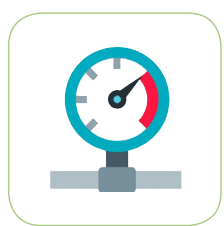


Products and Solutions

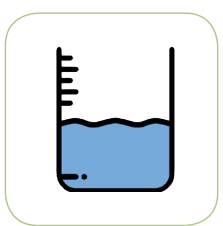
To Measure, Monitor and Control



Flow



Pressure



Level



Temperature



Analytical

For The Process Industries

GENERAL

ATCMF Coriolis mass flowmeters are the leading precision flow and density measurement solution offering the most accurate and repeatable mass measurement for liquids, or slurries. ATCMF meters offer the most accurate measurement available for virtually any process fluid, while exhibiting exceptionally low pressure drop.



FEATURES

- Unchallengeable ATCMF performance on liquid mass flow, volume flow, and density measurement
- Unique design delivers unparalleled measurement sensitivity and stability
- Guarantees consistent, reliable performance over the widest flow range
- Designed to minimize process, mounting, and environmental effect

APPLICATIONS

Low Flow Precision Measurement	Precision Measurement & Process Control	High Capacity Precision Measurement
Starting at 9.6 kg/hr to 120 kg/hr Flavoring Vials Chemical injection	Kg/min – tons/hr Truck loading Internal allocation Leak detection Produced fluids with chlorides	Up to 1,000 tons/hr Custody transfer Ship loading Railcar loading Pipeline measurement Marine bunkering Feedstock and fuel blending






AE CORIOLIS MASS FLOW METER

Model	Nominal Size (mm)	Flow rate (kg/hr)	Stability zero, kg/h			Rated Pressure (MPa)	NW (KG)	GW (KG)
			0.2%	0.15%	0.1%			
ATCMF-003	3	0~96~120	0.018	0.012	0.012	40	8	19
ATCMF-006	6	0~540~660	0.099	0.066	0.066	20	12	22
ATCMF-008	8	0~960~1200	0.18	0.12	0.12	20	12	23
ATCMF-010	10	0~1500~1800	0.27	0.18	0.18	20	11	24
ATCMF-015	15	0~3000~4200	0.63	0.42	0.42	20	12	25
ATCMF-020	20	0~6000~7800	1.17	0.78	0.78	16	20	34
ATCMF-025	25	0~10200~13500	2.025	1.35	1.35	16	21	35
ATCMF-032	32	0~18 000~24 000	3.6	2.4	2.4	16	27	45
ATCMF-040	40	0~30 000~36 000	5.4	3.6	3.6	12	35	55
ATCMF-050	50	0~48 000~60 000	9	6	6	12	40	60
ATCMF-080	80	0~120 000~160 000	24	16	16	8	90	150
ATCMF-100	100	0~222 000~270 000	40.5	27	27	8	170	245
ATCMF-150	150	0~480 000~600 000	90	60	60	6	255	360

SENSOR SPECIFICATIONS

- Accuracy: $\pm 0.1 \sim 0.5\%$
- Repeatability: $\pm 0.1 \sim 0.25\%$
- Density measurement range: $0.5 \sim 2 \text{g/cm}^3$, Accuracy: $\pm 0.002 \text{g/cm}^3$
- Operating temperature: $-50 \sim +200$ (standard), $-200 \sim +300$
- Ambient temperature: $-20 \sim +60$ or $-40 \sim +60$
- The measuring tube material: SS316L; The housing material: SS304
- Nominal pressure: 4.0MPa (standard)
- Ex-proof: Exd (ia) C T6Gb

TRANSMITTER SPECIFICATIONS

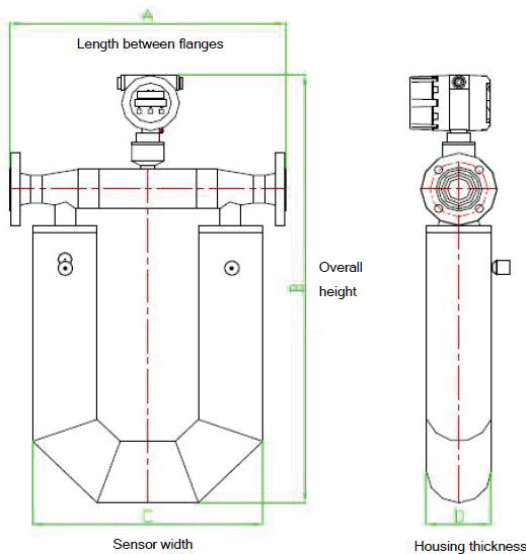
Item	FT-521 LED	FT-522 LCD	FT-523 digital LCD
Picture			
Principle	Analog signal processing	Analog signal processing	Digital signal processing 1.MVD technology 2.Higher sampling 3.Digital filtering
Medium temperature	$-200 \sim +300$	$-200 \sim +300$	$-200 \sim +200$
Ambient temperature	$-40 \sim 60$	$-20 \sim 60$	$-20 \sim 60$

AE CORIOLIS MASS FLOW METER

Display info	Mass flow; Volume flow, Density	Mass flow; Volume flow, Density, Temperature	Mass flow; Volume flow, Density, Temperature
Display mode	LED	LCD	LCD
Power supply	24VDC/220VAC	24VDC/220VAC	22VDC~245VAC
Output signal	Pulse/4-20mA	Pulse/4-20mA	Pulse/4-20mA
Communication	Modbus	Modbus / Hart	Modbus/Hart
Ex-proof	Ex d (ia) C T6Gb	Ex d (ia) C T6Gb	Ex d ib IIC T6 Gb

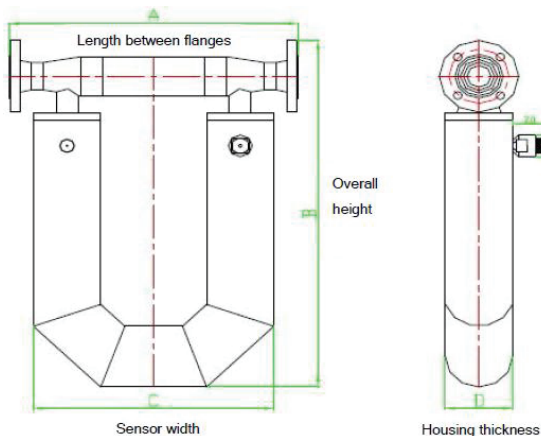
DIMENSION

U type - Compact type



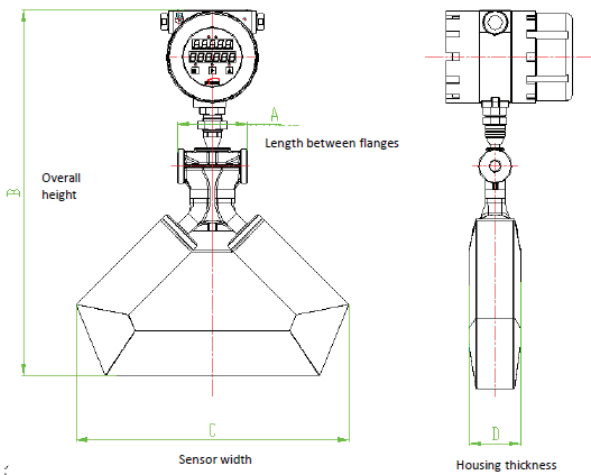
Model	A	B	C	D	NW(only sensor)
	mm	mm	mm	mm	kg
A TCMF-010	450	590	380	60	7.2
A TCMF-015	456	590	380	60	7.5
A TCMF-020	540	750	468	108	17
A TCMF-025	540	770	468	108	17.5
A TCMF-032	545	810	468	108	24
A TCMF-040	600	930	500	140	32
A TCMF-050	606	955	500	140	36
A TCMF-080	866	1177	780	220	87.5
A TCMF-100	950	1335	833	273	165
A TCMF-150	1300	1593	1144	324	252
A TCMF-200	1300	1600	1144	400	350

"U" type - Remote type

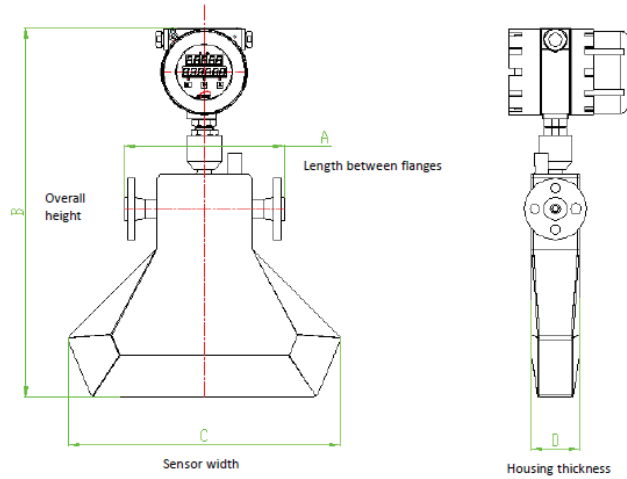


Model	A	B	C	D	NW(only sensor)
	mm	mm	mm	mm	kg
A TCMF-010	450	370	380	60	7.2
A TCMF-015	456	370	380	60	7.5
A TCMF-020	540	530	468	108	17
A TCMF-025	540	550	468	108	17.5
A TCMF-032	544	590	468	108	24
A TCMF-040	600	710	500	140	32
A TCMF-050	606	735	500	140	36
A TCMF-080	866	957	780	220	87.5
A TCMF-100	950	1115	833	273	165
A TCMF-150	1300	1373	1144	324	252
A TCMF-200	1300	1380	1144	400	350

AE CORIOLIS MASS FLOW METER

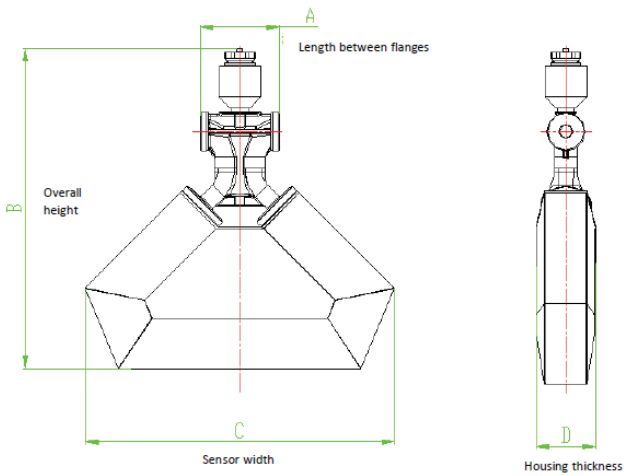


Compact type ATCMF0 15 / 010

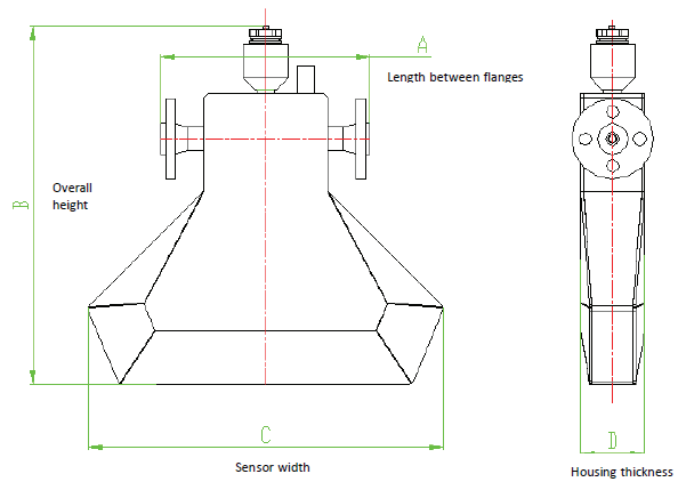


Remote type ATCMF0 08 / 006 / 003

Model	A	B	C	D	NW
	mm	mm	mm	mm	kg
A TCMF-003	178	420	250	54	4.8
ATCMF-006	232	550	360	70.5	8.1
A TCMF-008	232	565	395	70.5	8.2
ATCMF-010	95	525	370	70.5	6.5
ATCMF-015	95	540	405	70.5	6.5



Compact type ATCMF0 15 / 010



Remote type ATCMF0 08 / 006 / 003

Model	A	B	C	D	NW
	mm	mm	mm	mm	kg
ATCMF-003	178	290	250	54	4.8
ATCMF-006	232	420	360	70.5	8.1
A TCMF-008	232	435	395	70.5	8.2
ATCMF-010	95	395	370	70.5	6.5
A TCMF-015	95	410	405	70.5	6.5

AE CORIOLIS MASS FLOW METER

Model	1	2	3	4	5	6	7	8	9	10	11	Description
ATCMF -												
Diameter	003											DN3
	006											DN6
	008											DN8
	010											DN10
	015											DN15
	020											DN20
	025											DN25
	032											DN32
	040											DN40
	050											DN50
	080											DN80
	100											DN100
	150											DN150
Structure	C											Compact type
	R											Remote type
Medium temperature	N											-50...+200
	H											-50...+300
	L											-200...+200
Rated pressure	N											Reference to the remark
	C											Customized
Power supply	1											DC24V
	2											AC220V
Output signal	P											Pulse output
	C											4-20mA output
Communication	R											RS485
	H											HART
	N											No
Accuracy	0.1											0.1%
	0.15											0.15%
	0.2											0.2%
	0.5											0.5%
Connection	F											Flange
	T											Thread
	C											Tri-clamp
	P											Pipe fittings
Explosion	E											Exd(ia)IICT6Gb
	N											Safe environment
Others											S	Customized

Remark: the rated pressure for each diameter is shown as below, unit: MPa

Please select N if the rated pressure for each diameter is within the related pressure.

Diameter	DN3	DN6	DN8	DN10	DN15	DN20	DN25	DN32	DN40	DN50	DN80	DN100	DN150
Pressure	40	20	20	20	20	16	16	16	12	12	8	8	6



AE ANDERSON
EUROTECH
VALVES AND INSTRUMENTS

For Your Sales and After Sales, please contact:

Indonesia Sole Distributor

PT. Multi Sukses Pratama

Jl. Bandengan Utara No. 80
Rukan Bandengan Indah D No.20

Jakarta Utara, Indonesia

☎ (62) (21) 29379590, 29379591, 68292838, 8822918 (62)

☎ (21) 29379571

E-mail: sales@suksespratama.com