

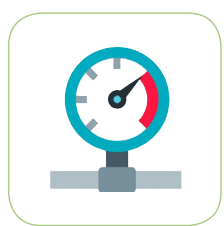


Products and Solutions

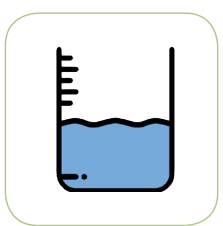
To Measure, Monitor and Control



Flow



Pressure



Level



Temperature



Analytical

For The Process Industries

Online Conductivity Meter

The online conductivity meter is a true multivariable analyzer used for measuring /controlling the conductivity with temperature or TDS. The function is switchable on the device itself. Depending on the measured variable, conductivity electrodes (e. g. EC sensors) can be readily connected.

Truly unique is the SPE-EC100 in the Human Machine Interface. The high resolution digital display and LCD screen make the measurements are clearly legible and the keyboard operation make it easier for the user to configure the device. The instructions on screen assure that the best configuration for the application is obtained

Universal application in water and waste water engineering, service/process water and drinking water and well/surface water, leakage monitoring in refrigeration plant



TDS210

Features

- Easy operation
- NEMA enclosure for field mounting and panel mounting
- Automatically Temperature Compensation
- Directly switchable to PH or ORP
- Large LC D display with background lighting
- PH or ORP sensors can be connected thanks to the sensor supply integrated in the output
- Using the setup program: user-friendly programming
- 4-20mA analog output
- RS485 communication
- Relay output

AE CONDUCTIVITY METER

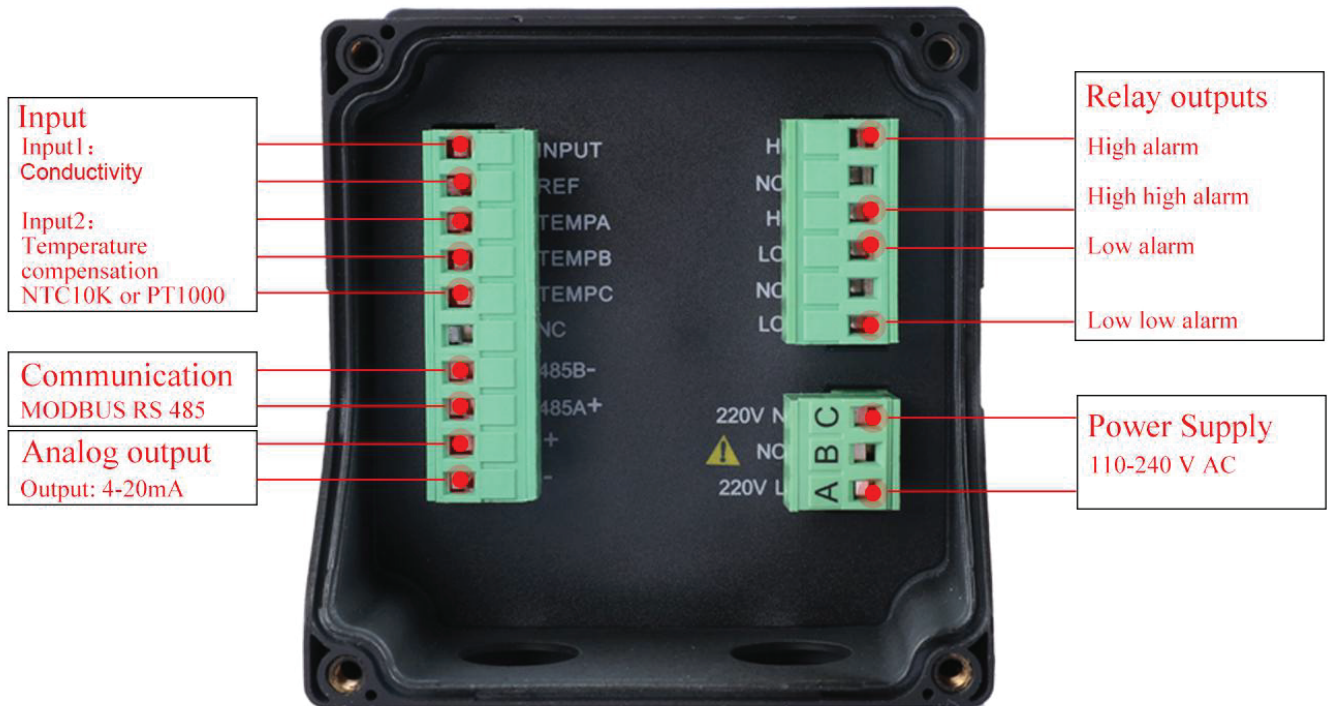
The device is designed for use on site. A rugged housing protects the electronics and the electrical connections from corrosive environmental conditions . As an alternative, the device can also be installed in a control panel.



- 1, Temperature
- 2, Output signal
- 3, High alarm
- 4, Low alarm
- 5, Measured value
- 6, Menu
- 7, Exist
- 8, Choose
- 9, Enter

AE CONDUCTIVITY METER

Function diagram



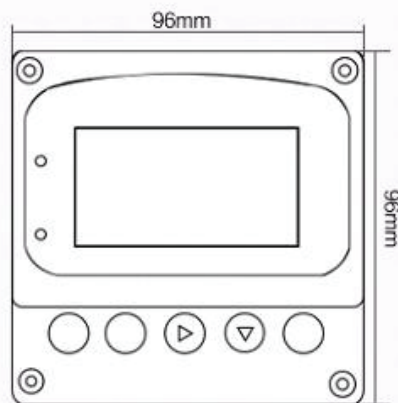
AE CONDUCTIVITY METER

General Specifications of TDS210

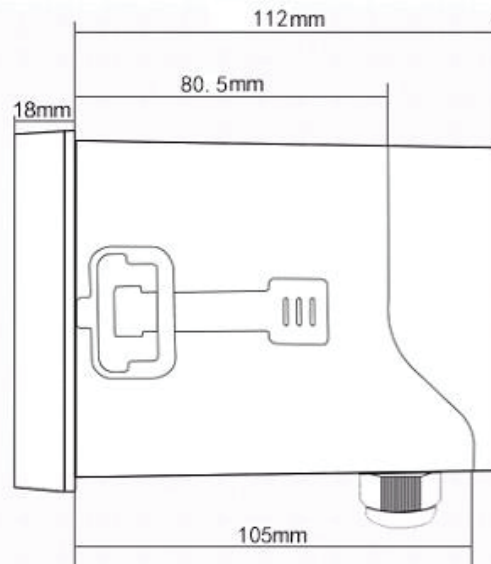
Measuring Range	0.01 electrode: 0.02 to 20.00 us/cm
	0.1 electrode: 0.2 to 200.00 us/cm
	1.0 electrode: 2 to 2000 us/cm
	10.0 electrode: 20 to 20000 us/cm
Accuracy	±0.1% FS
Stability	±1% FS /24H
Temperature	Compensation Range: -10~130°C
Compensation	PT1000, Accuracy: ±0.5°C
Display	2.4 inch LCD display
Relay out	2 relay out, capacity: 250V AC,3A
Signal output	4-20mA Output, RS485 communication, compatible with standard MODBUS-RTU
Power supply	AC220V ±10%,50Hz
Dimension	96*96*96.5 mm (H*W*D)
Hole Size	92.5*92.5 mm



Dimension

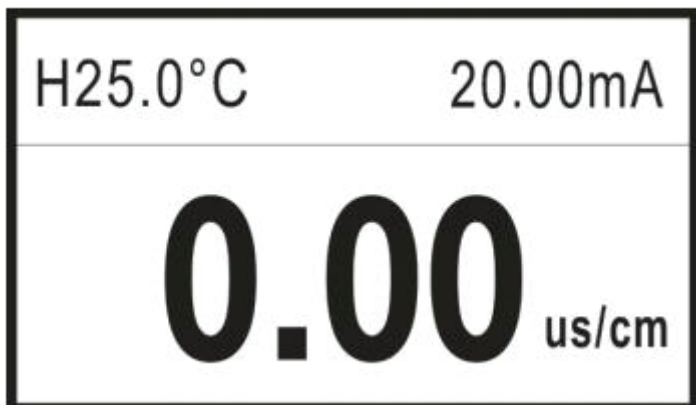


Hole size: 92.5 * 92.5mm

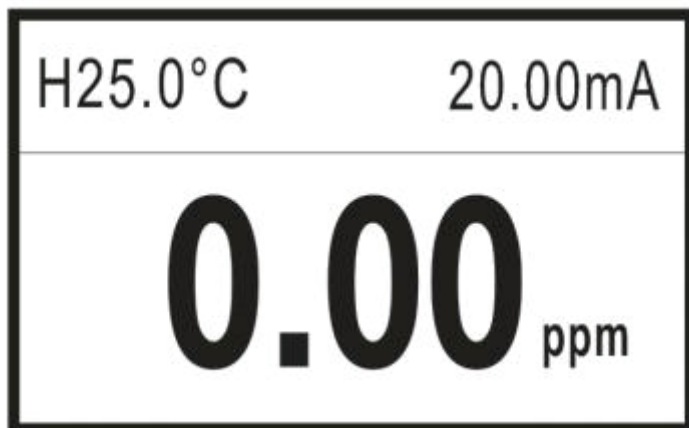


AE CONDUCTIVITY METER

EC monitor:



TDS monitor:



How to select the probe

Good controller with good quality



K = 0.01 electrode
Suitable for pure water,
Ultrapure water testing



k = 0.1 electrode
Suitable for drinking
Water measurement



k = 1.0 electrode
Suitable for river water,
Raw water testing



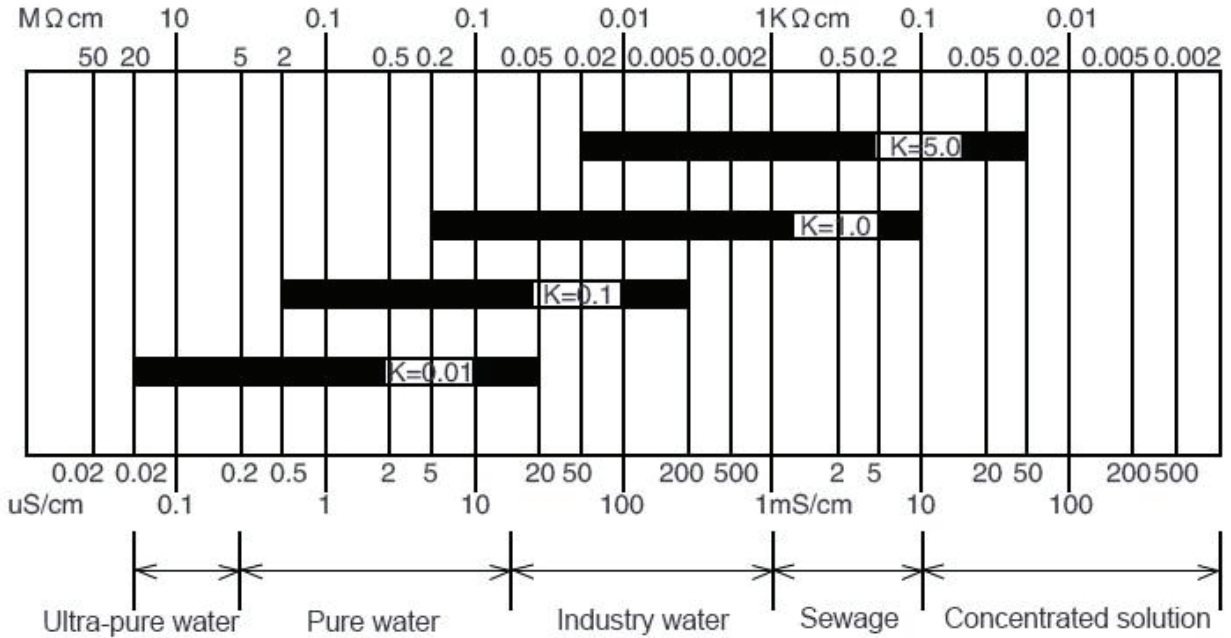
k = 10.0 electrode
Suitable for sewage,
waste monitoring

Electrode Dimension

Constant	Material	Length	Diameter	Hole size	Thread
K=1.0	Plastic	57.5mm	12.7mm	6mm	NPT1/2
K=0.01	Stainless steel	77mm	13mm	6mm	NPT1/2
K=0.1	Stainless steel	59mm	13mm	6mm	NPT1/2
K=1.0	Stainless steel	59mm	13.5mm	6mm	NPT1/2
K=10.0	Polysulfone	60.5mm	23.3mm	6mm	NPT3/4

AE CONDUCTIVITY METER

Electrode Choose



Normal range

0.01 electrode: 0.02~20.00 $\mu\text{S/cm}$

0.1 electrode: 0.2~200.0 $\mu\text{S/cm}$

1.0 electrode: 2~2000 $\mu\text{S/cm}$

10.0 electrode: 20 $\mu\text{S/cm}$ ~20.00 mS/cm

Large range:

0.01 electrode: 0.02~100.00 $\mu\text{S/cm}$

0.1 electrode: 0.2~1000.0 $\mu\text{S/cm}$

1.0 electrode: 2~10000 $\mu\text{S/cm}$

10.0 electrode: 20 $\mu\text{S/cm}$ ~100.00 mS/cm



AE ANDERSON
EUROTECH
VALVES AND INSTRUMENTS

For Your Sales and After Sales, please contact:

Indonesia Sole Distributor

PT. Multi Sukses Pratama

Jl. Bandengan Utara No. 80
Rukan Bandengan Indah D No.20

Jakarta Utara, Indonesia

☎ (62) (21) 29379590, 29379591, 68292838, 8822918 (62)

☎ (21) 29379571

E-mail: sales@suksespratama.com