

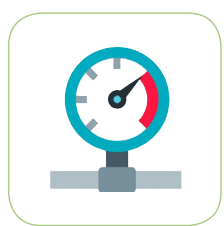


Products and Solutions

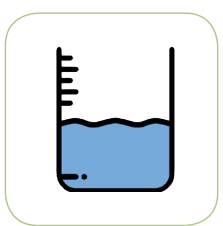
To Measure, Monitor and Control



Flow



Pressure



Level



Temperature



Analytical

For The Process Industries

DESCRIPTION

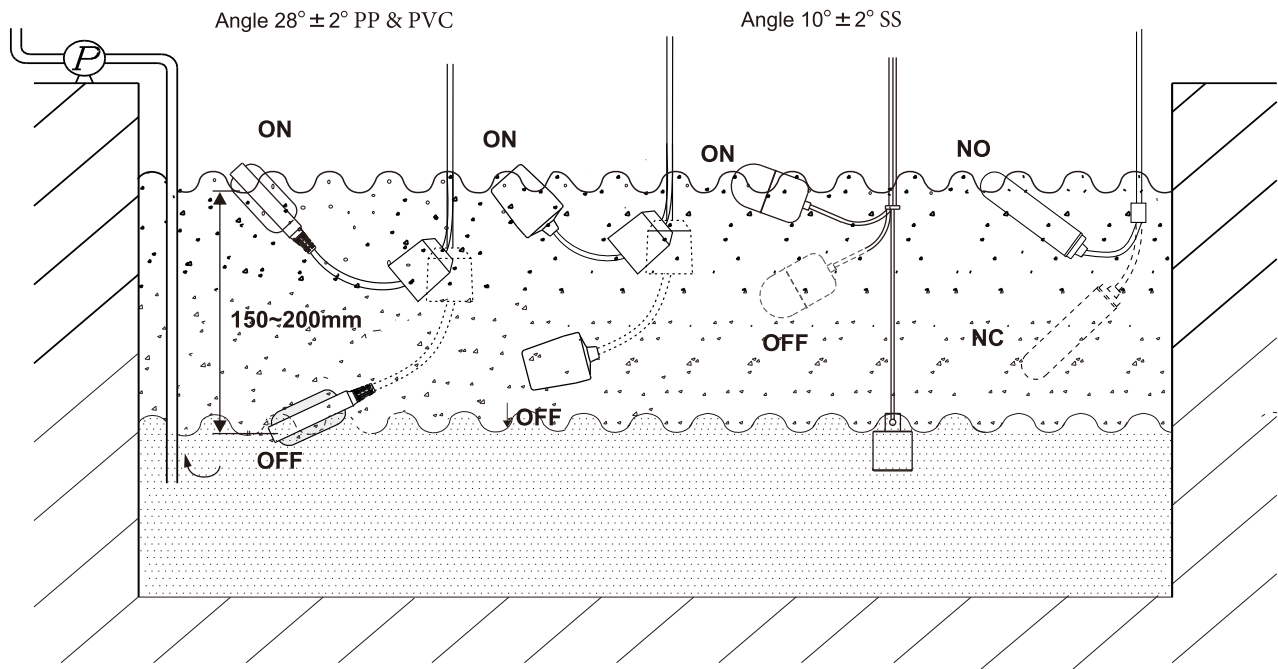
The Float Level Switch is made from chemical resistant polypropylene. It is durable, low-cost, and specially designed to assist with long range and multiple point level detection in liquids. It is also suitable for tanks containing pumps and granular solutions.

APPLICATION

FAC: Suitable for pump controlled systems
 FAR/ P / D/ E: Suitable for pump controlled waste water with a low Specific Gravity (SG level).
 FAS: High temperature solutions
 FAL/ J: Cleaner water, and installation with smaller process connections.
 It is suggested to apply Reed Switch contact models in PLC or DCS control.

WORKING PRINCIPLE

The Cable Float Level Switch is structured by using either micro switches proximity switches or reed switches to control the contact. Its user-friendly design is ideal for level measurement. The switches will transmit an ON or OFF contact signal output when the float rises and turns upwards. The switch contains a metal ball that can slide as the float position changes. For different water or solution temperatures, different float materials are available for selection. Plastic and stainless steel switches are the most common. The cable float level switch can not only be used in clear liquids but also can be used in granular liquids. Long distance detection points and multi-point contacts are also available. Cable float level switches can be applied in all water management, petrochemical, chemical industries. Other uses include: air-conditioner systems, drainage systems, most tanks or containers with level switch requirements.

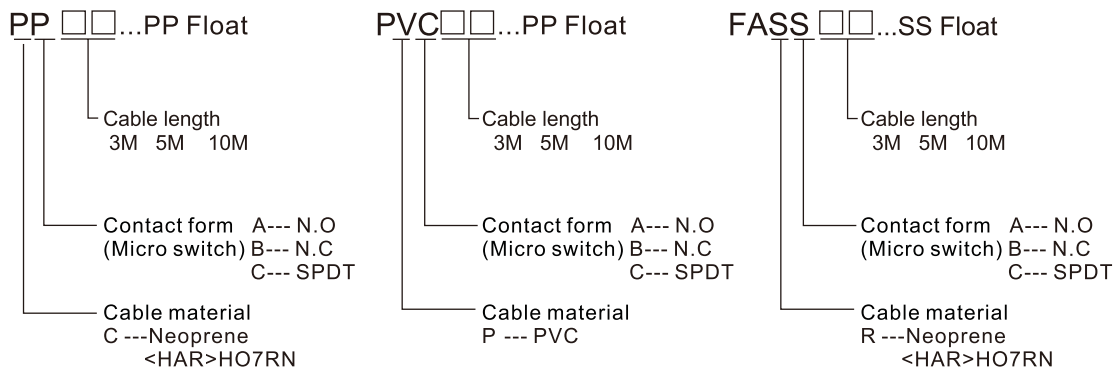


AE CABLE FLOAT LEVEL SWITCH

SPECIFICATIONS

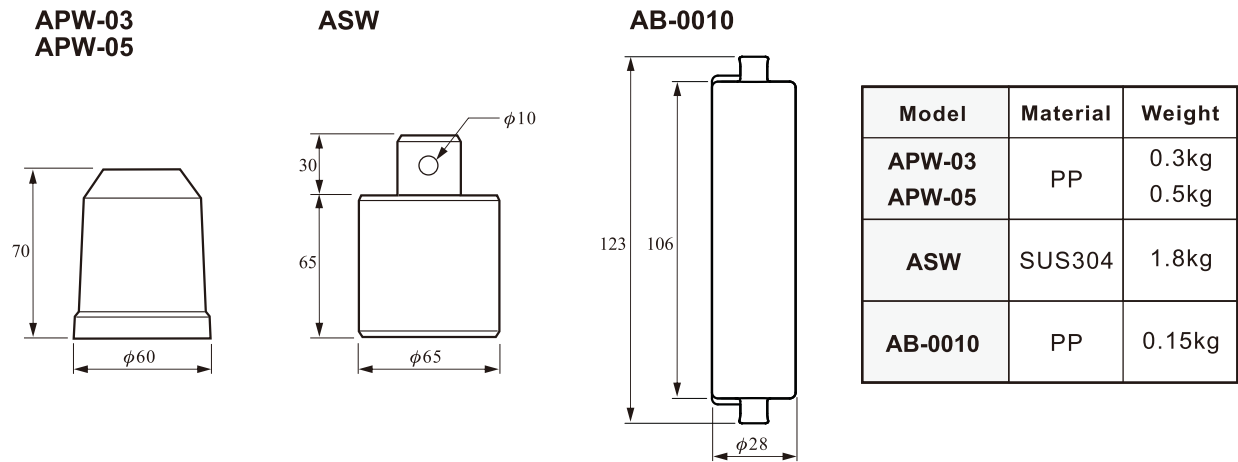
Dimensions (Unit:mm)			
	Model	Round type	Cup type
Switch	Micro switch	Micro switch	Micro switch
Float material	PP & SS		
Cable spec	Neoprene Cable 1mm ² x3C or 2C	PVC Cable 1.25mm ² x3C or 2C	Neoprene Cable 1mm ² x3C or 2C
Contact rating	10A/ 250Vac (std.) or 15A/ 250Vac		
Contact form	N.O or N.C or SPDT		
Operating temp.	-10°C~80°C	0°C~60°C	-10°C~80°C
Specific gravity	0.6	0.6	0.6
Weight approx.	770g/5M	290g/1M	290g/1M
Pressure	2 kg/cm ²	2 kg/cm ²	2 kg/cm ²
Wire voltage	600 Vac	600 Vac	600 Vac
Isolation resistance	Min 100 MΩ	Min 100 MΩ	Min 100 MΩ
Contact resistance	Max. 100mΩ	Max. 100mΩ	Max. 100mΩ
Actuation angle	28° ± 2°	28° ± 2°	28° ± 2°
Protection	IP68	IP68	IP68

Float Type Code



AE CABLE FLOAT LEVEL SWITCH

WEIGHTS DIMENSIONS



Ordering Information

Model	Description			
AE730	Cable Float Switch with PP float, Neoprene cable and PVC electrical housing			
Sizes available	2"	2 1/2"	3"	4"
Connection available*	FJ10K = JIS10K	FA150 = ANSI150RF	FD10 = PN10	

* Option threaded connection available for size 2" only

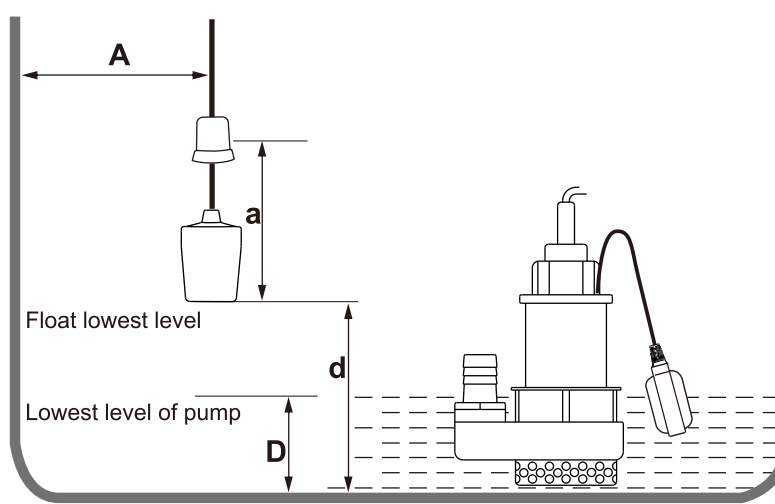
AE CABLE FLOAT LEVEL SWITCH

Installation guide

DIMENSIONS

The float's action length (a) must be shorter than the distance between the wall and the cable (A) ; if not, it will not function accurately.

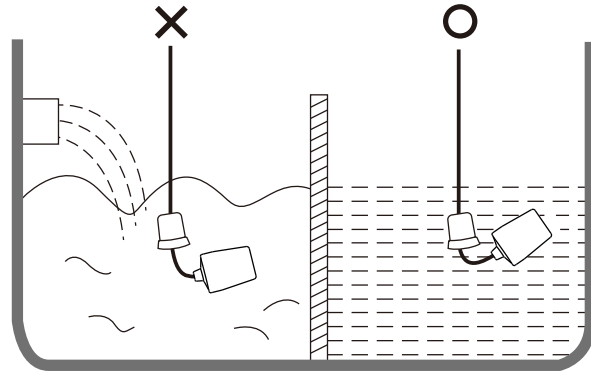
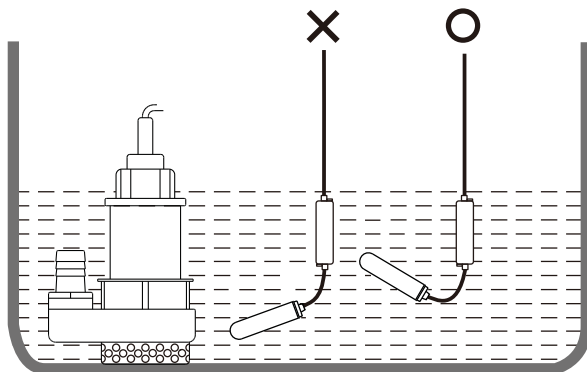
The lowest float level (d) must be higher than the lowest water level of the pump (D).



PRECAUTIONS

Keep a proper distance between the installation position and the water pump inlet to prevent the float switch from being sucked in towards the pump.

There should be a proper distance between the installation position and water inlet to prevent any direct water impact. If it can't be avoided, please install a pipe-shield or plate that lowers the turbulence.





AE ANDERSON
EUROTECH
VALVES AND INSTRUMENTS

For Your Sales and After Sales, please contact:

Indonesia Sole Distributor

PT. Multi Sukses Pratama

Jl. Bandengan Utara No. 80
Rukan Bandengan Indah D No.20

Jakarta Utara, Indonesia

☎ (62) (21) 29379590, 29379591, 68292838, 8822918 (62)

☎ (21) 29379571

E-mail: sales@suksespratama.com