



## Products and Solutions

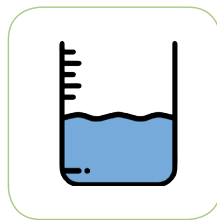
To Measure, Monitor and Control



Flow



Pressure



Level



Temperature



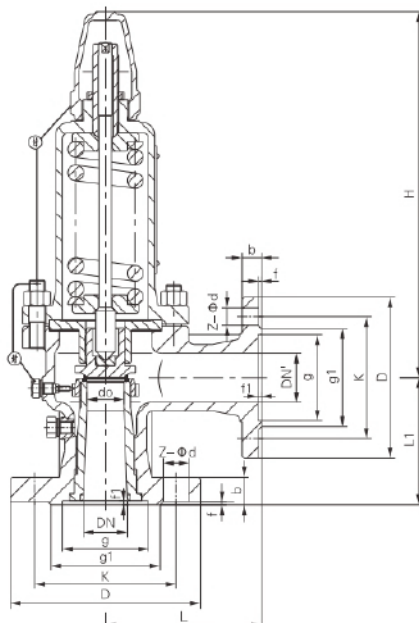
Analytical

For The Process Industries



## Main Technical Parameters

Nominal diameter (mm)	DN20–DN250
Pressure rating (MPa)	1.6~16.0Mpa
Set pressure range (MPa)	0.06~16.0Mpa
Body material	CS,SS,Special steel, etc.
On/off pressure difference	≤ 15%
Discharge characteristic	Relatively small



## Application Scenarios

A41H: It is applicable to equipment or pipelines with media such as petroleum gas, air and water whose operating temperature is  $\leq 300^{\circ}\text{C}$ .

A41Y: It is a spring loaded slightly opening enclosed safety valve, applicable to equipment or pipelines with media such as petroleum gas, air and water whose operating temperature is  $\leq 300^{\circ}\text{C}$ . The A41Y - P/R type is applicable to equipment or pipelines with corrosive media whose operating temperature is  $\leq 200^{\circ}\text{C}$ , serving as an overpressure protection device.

A41F46: It is a fluorine - lined safety valve, used as a discharge device for controlling liquid media in steam pipelines or gas pipelines.

## Structural Features

Connection method: Flange connection is adopted, along with an overall enclosed structure. This design offers excellent sealing performance, effectively preventing medium leakage.

Spring design: The spring is made of high quality steel with a direct loading design. It features a long service life and high stability, ensuring the reliable operation of the safety valve within the working pressure range.

## Dimensions(PN1.6-4.0) Unit:mm

Diameter DN (mm)	Size				
	d <sub>0</sub>	DN'	L	L <sub>1</sub>	≈ H
20	15	20	100	85	275
25	20	25	100	85	275
32	25	32	115	100	285
40	32	40	120	110	285
50	40	50	135	120	355
65	50	65	140	130	390
80	65	80	160	35	394
100	80	100	170	160	500
125	100	125	190	190	570
150	25	150	205	195	585
200	150	200	240	230	710
250	200	250	350	320	905

## Dimensions(PN6.4-10.0) Unit:mm

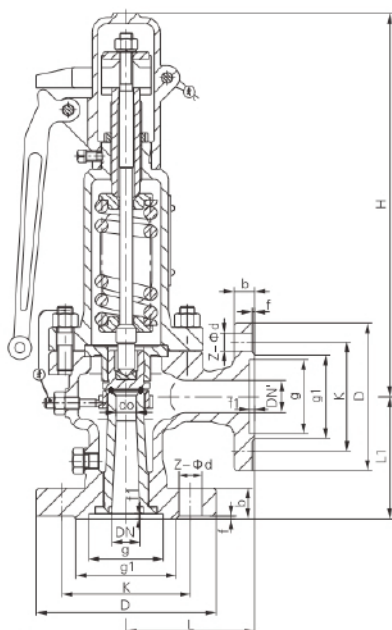
Diameter DN (mm)	Size				
	d <sub>0</sub>	DN'	L	L <sub>1</sub>	≈ H
20	15	20	100	95	268
25	20	25	100	95	268
32	25	32	115	105	279
40	32	40	135	115	330
50	40	50	160	130	365
65	50	65	175	160	503
80	65	80	175	160	498
100	80	100	190	180	530
150	100	150	280	260	657

# AE OPEN BONNET LOW LIFT SAFETY VALVE



## Main Technical Parameters

Nominal diameter (mm)	DN20~DN250
Pressure rating (MPa)	1.6~16.0Mpa
Set pressure range (MPa)	0.06~16.0Mpa
Body material	CS,SS,Special steel, etc.
On/off pressure difference	≤15%
Discharge characteristic	Relatively small



## Application Scenarios

This valve is applicable to equipment or pipelines with media such as steam and air whose operating temperature is  $\leq 350^{\circ}\text{C}$ , serving as an overpressure protection device.

It is widely used in the equipment and pipelines of industries such as urban construction, chemical engineering, metallurgy, petroleum, pharmacy, food, and beverage. For example, in chemical production plants, it is used in the inlet and outlet pipelines of equipment like reaction kettles and heat exchangers; in the petroleum refining process, it is applied to various towers, vessels, and pipelines; and in the metallurgical process, it is used in heating furnaces, converters, high pressure vessels, etc.

## Structural Features

**Open - type design:** The valve adopts an open type bonnet and valve cap design, which can effectively enhance the heat dissipation of the spring and increase the operating temperature of the valve.

**Wrench equipped design:** The wrench can be used to regularly check the flexibility of the safety valve. This design is applicable to media that are non-polluting to the environment.

## Dimensions(PN1.6-4.0) Unit:mm

Diameter DN (mm)	Size				
	do	DN'	L	L1	≈H
20	15	20	100	85	298
25	20	25	100	85	298
32	25	32	15	100	310
40	32	40	120	10	315
50	40	50	135	120	377
65	50	65	140	130	415
80	65	80	160	135	420
100	80	100	170	160	539
125	100	125	190	190	624
150	125	150	205	195	636
200	150	200	240	230	772
250	200	250	350	320	970

## Dimensions(PN6.4-10.0) Unit:mm

Diameter DN (mm)	Size				
	do	DN'	L	L1	≈H
20	15	20	100	95	301
25	20	25	100	95	301
32	25	32	115	105	312
40	32	40	135	115	366
50	40	50	160	130	401
65	50	65	175	160	570
80	65	80	175	160	565
100	80	100	190	180	597
150	100	150	280	260	738



**AE** ANDERSON  
EUROTECH  
VALVES AND INSTRUMENTS

For Your Sales and After Sales, please contact:

Indonesia Sole Distributor

**PT. Multi Sukses Pratama**

Jl. Bandengan Utara No. 80  
Rukan Bandengan Indah D No.20

Jakarta Utara, Indonesia

☎ (62) (21) 29379590, 29379591, 68292838, 8822918 (62)

☎ (21) 29379571

E-mail: [sales@suksespratama.com](mailto:sales@suksespratama.com)